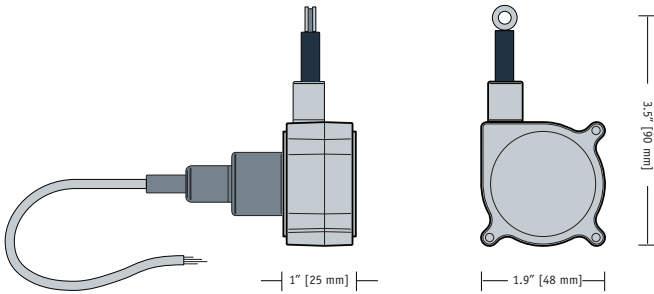


# SP3

## Low Cost String Pot

User Selectable Output: 4..20 mA or 0..10 Vdc  
 Absolute Linear Position to 50 inches (1.3 m)  
 40-inch electrical cable w/ sealed strain relief  
 Handy Mounting Bracket • Free Release Tolerant



### SPECIFICATIONS

Available Stroke Ranges	4.75, 12.5, 25, 50 inches
User Selectable Output Signal	4...20 mA (2-wire) / 0...10 Vdc
Input Voltage, 4...20 mA option	8-40 VDC
Input Voltage, 0...10 Vdc option	12-32 VDC
Accuracy	.25% to 1% FS. (see ordering info)
Repeatability	.05% FS.
Resolution	essentially infinite
Measuring Cable	.019-inch dia. nylon-coated stainless steel
Maximum Acceleration	15 g (retraction)
Measuring Cable Tension	7 oz. (1.9 N) ±30%
Sensor	plastic-hybrid precision potentiometer
Cycle Life	see ordering information
Enclosure	polycarbonate
Electrical Connection	40-inch (1 m), multi-conductor cable
Operating Temperature	0° to 160° F (-18° to 70° C)
Weight (not including bracket)	3 oz (90 g)

## CELESCO Cable Sensors From NTT



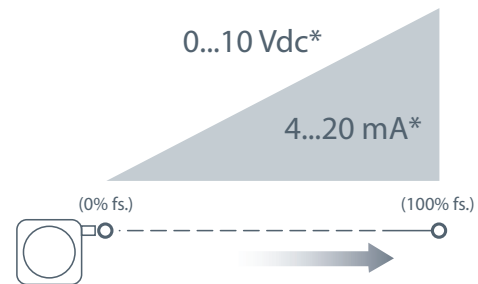
The SP3 from Celesco is a compact, economical stringpot that provides a user selectable 4-20 mA or 0-10 Vdc output signal. Simply install this sensor using the handy mounting bracket and connect the appropriate wires for the desired output.

The SP3 is constructed with a rugged, water resistant polycarbonate body that has been compactly designed for tight spaces and generous measuring cable misalignment. With 4 different ranges, the SP3 is a perfect solution for many applications from light industrial to OEM. Just like all of our other SP and SE models, the SP3 is in stock ready to ship.

### ORDERING INFORMATION

Item Number	SP3-4	SP3-12	SP3-25	SP3-50
full stroke range	4.75 in (120 mm)	12.5 in (317 mm)	25 in (635 mm)	50 in (1270 mm)
accuracy (% of f.s.)	1.00%	0.25%	0.25%	0.25%
cycle life	2.5M cycles	500K cycles	500K cycles	250K cycles

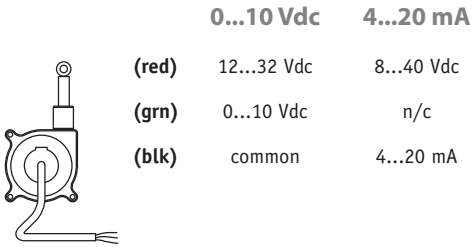
### Output Signal:



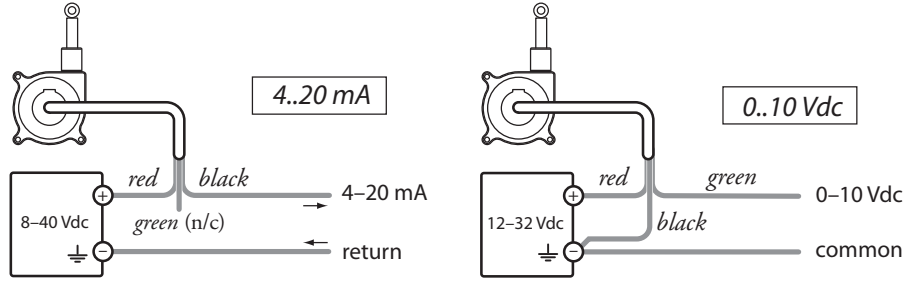
\*note: output signal endpoint tolerance

Output Signal	0% fs.	100% fs.
4...20 mA	4 - 4.25 mA	19.2 - 20 mA
0...10 Vdc	0 - .2 Vdc	9.5 - 10 Vdc

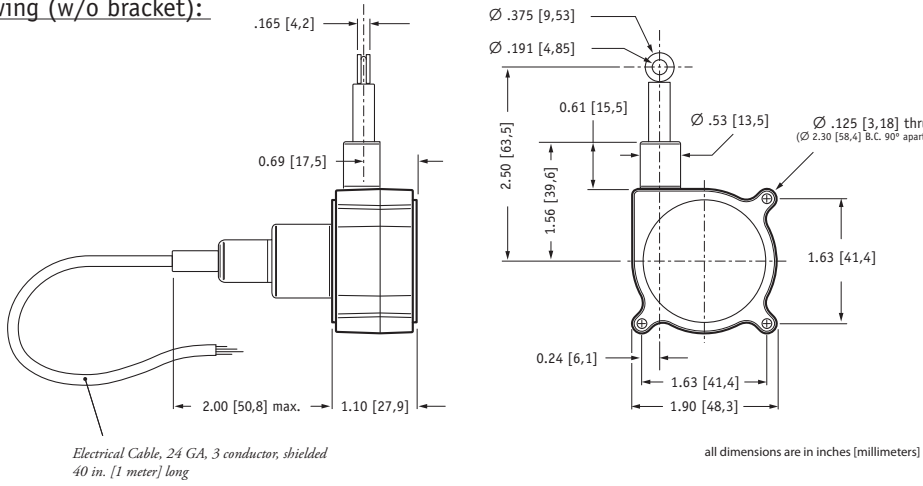
### Electrical Connection:



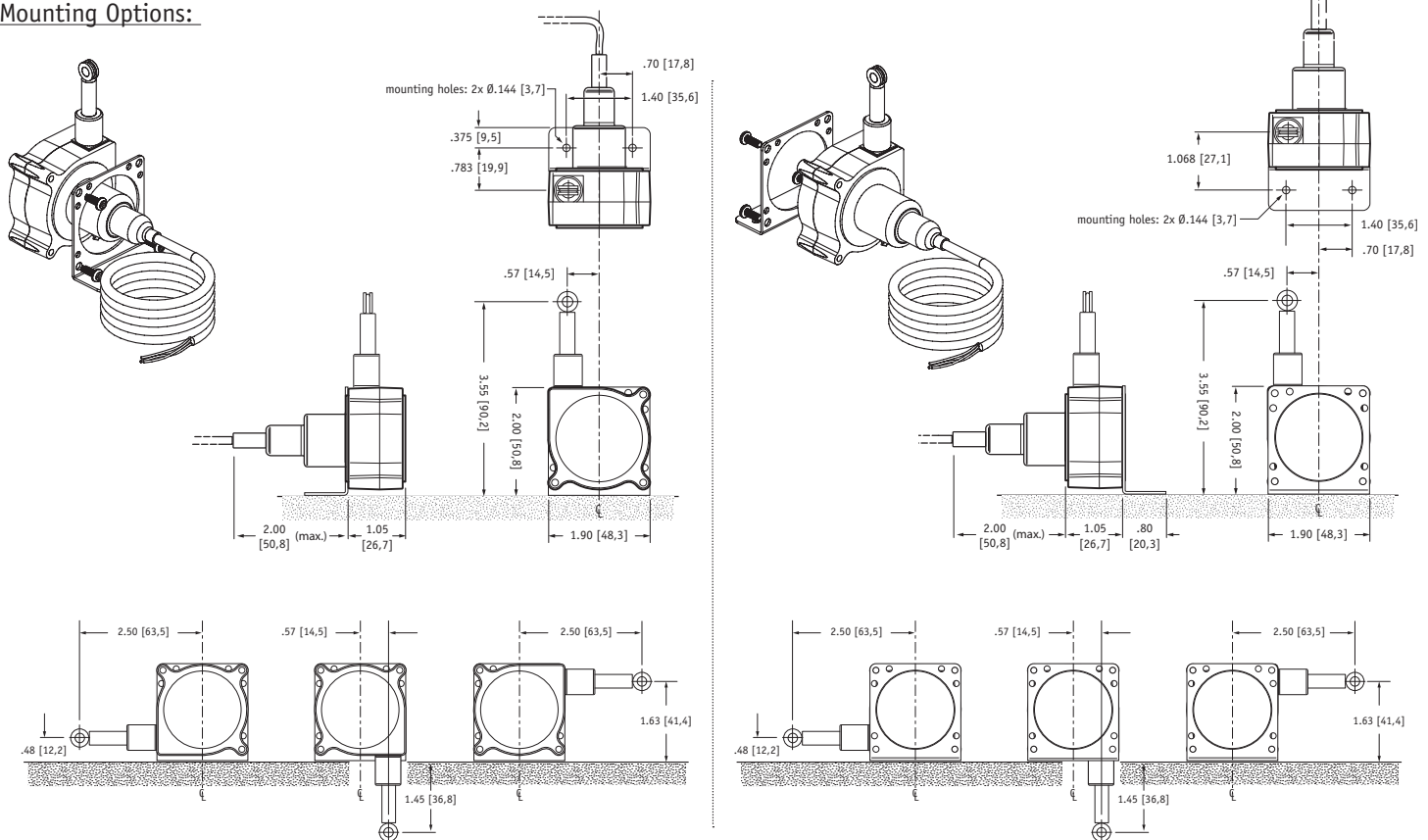
### Output Signal Options:



### Outline Drawing (w/o bracket):



### Mounting Options:



version: 1.0 last updated: October 1, 2010  
2 | SP3