

## Accessori Accessories



**OPZIONE** II 2G Ex ib IIC T5 Gb  
**OPTION** II 2D Ex ib IIIC T115°C Db  
Certificate: TÜV CY 18 ATEX 0206102 X

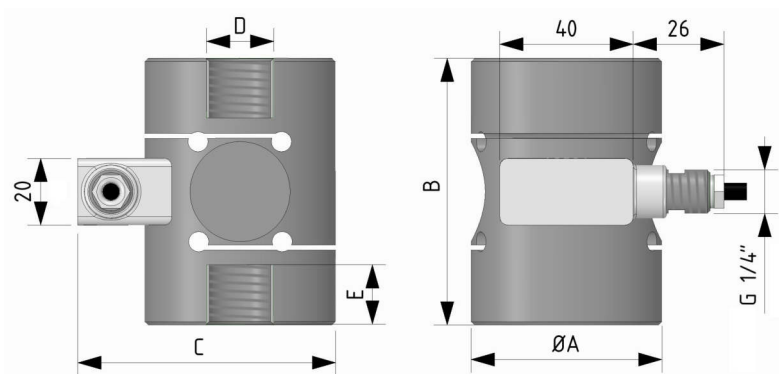
**FACILE APPLICAZIONE**  
 **EASY APPLICATION**

**SOLLECITAZIONI DINAMICHE**  
 **DYNAMIC STRESSES**

**15** Stabilità a lungo termine  
**Long term high stability**

## Dimensioni Dimensions

[mm]



CODE (Class 00)	CODE (Class 0.5)	CODE (Class 1)	LOAD	ØA	B	C	D	E
CTCETM5KN005	CTCETM5KNI05	CTCETM5KNI15	5 kN	57	80	74.5	M20X1.5	17
CTCETM10KN005	CTCETM10KNI05	CTCETM10KNI15	10 kN					
CTCETM25KN005	CTCETM25KNI05	CTCETM25KNI15	25 kN					
CTCETM50KN005	CTCETM50KNI05	CTCETM50KNI15	50 kN	82	110	102	M30X2	20
CTCETM75KN005	CTCETM75KNI05	CTCETM75KNI15	75 kN					
CTCETM100KN005	CTCETM100KNI05	CTCETM100KNI15	100 kN					

## Technical Data



Accuracy class: <b>ISO 376</b>		<b>00</b>	<b>0.5</b>	<b>1</b>
<b>NOMINAL LOAD</b>		5 - 10 - 25 - 50 - 75 - 100 kN		
<b>RELATIVE ERRORS (at reading)</b>				
a) reproducibility. 0°-120°-240° (b)		≤±0.050% <sup>(1)</sup>	≤±0.085% <sup>(1)</sup>	≤±0.150% <sup>(1)</sup>
b) interpolation (fc)		≤±0.020% <sup>(1)</sup>	≤±0.040% <sup>(1)</sup>	≤±0.055% <sup>(1)</sup>
c) reversitivity (u)		≤±0.070% <sup>(1)</sup>	≤±0.135% <sup>(1)</sup>	≤±0.250% <sup>(1)</sup>
d) zero (fo)		≤±0.010% F.S.	≤±0.020% F.S.	≤±0.020% F.S.
<b>LINEARITY</b>		≤ ±0.03% F.S.		
<b>HYSTERESIS</b>		≤ ±0.03% F.S.		
<b>TEMPERATURE EFFECT (10°C)</b>				
a) on zero		≤ ±0.030% F.S.		
b) on sensitivity		≤ ±0.011% F.S.		
<b>NOMINAL SENSITIVITY</b>		2 mV/V		
<b>SENSIVITY TOLERANCE</b>		≤ ±0.1% F.S.		
<b>INPUT RESISTANCE</b>		440 ± 20Ω		
<b>OUTPUT RESISTANCE</b>		352 ± 2Ω		
<b>INSULATION RESISTANCE</b>		> 5 GΩ		
<b>ZERO BALANCE</b>		≤ ± 1% F.S.		
<b>RECOMENDED SUPPLY VOLTAGE</b>		10 V		
<b>NOMINAL SUPPLY VOLTAGE</b>		1-15 V		
<b>MAXIMUM SUPPLY VOLTAGE</b>		18 V		
<b>MECHANICAL LIMIT VALUES REFERRED TO NOMINAL LOAD:</b>				
a) service load		120%		
b) max permissible load		150%		
c) breaking load		> 300%		
d) max transverse load		50%		
e) max permissible dynamic load		50%		
<b>DISPLACEMENT AT NOMINAL LOAD</b>		~ 0.3 mm		
<b>REFERENCE TEMPERATURE</b>		+23 °C		
<b>TEMPERATURE NOMINAL RANGE</b>		-10 / +40 °C		
<b>SERVICE TEMPERATURE</b>		-10 / +70 °C		
<b>STORAGE TEMPERATURE</b>		-20 / +80 °C		
<b>PROTECTION CLASS (EN 60529)</b>	<b>WEIGHT</b>	1.45 - 4.45 kg		
	<b>EXECUTION MATERIAL</b>	IP67 / Stainless Steel		
	<b>CABLE LENGTH</b>	5 m		

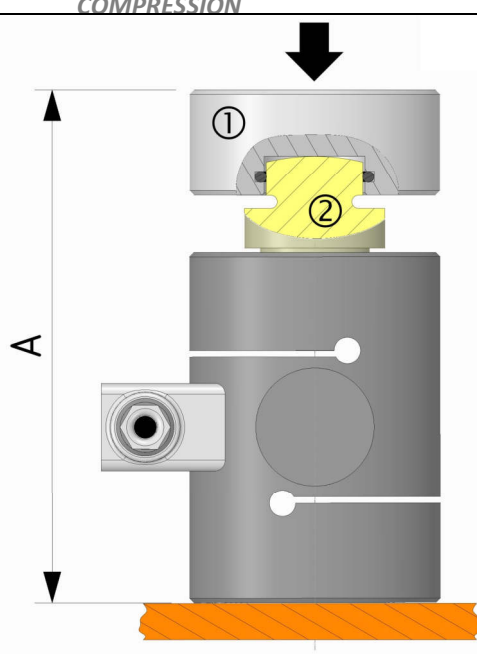
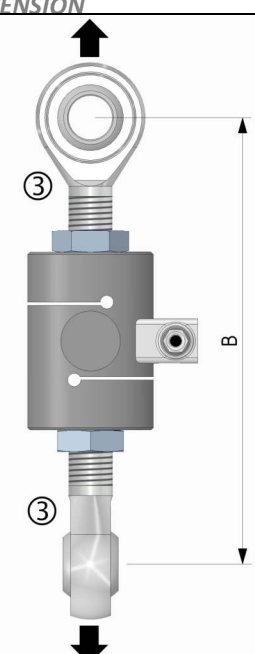




<sup>(1)</sup>

Percentage errors referred to reading, min. 1/10 of the nominal load

Classifications according **ASTM E74** on request

## Applications

COMPRESSION	TENSION
 <p style="text-align: center;">TCETM 5, 10, 25 kN    A = 117mm TCETM 50, 75, 100 kN    A = 149 mm</p>	 <p style="text-align: center;">TCETM 5, 10, 25 kN    B = ~200mm TCETM 50, 75, 100 kN    B = ~300mm</p>
	<p style="text-align: center;"><b>WARNING:</b> Cable weight can influence measurement, it is therefore recommended to place it at the opposite site of the load.</p> 

## Accessories



TCETM:	CODE:		ACCESSORIES (optional):
5, 10, 25 kN	CTIC22	①	Loading head.
	CTS25M20	②	Spherical loading head.
	CACCEM20	③	Knuckle joints.
50, 75, 100 kN	CTIC28	①	Loading head.
	CTS45M30	②	Spherical loading head.
	CACCEM30	③	Knuckle joints.

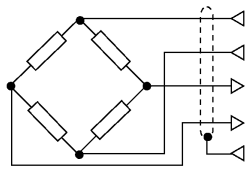
## OPTIONS

*To be purchased separately*

	CODE		<sup>(2)</sup> OPTION
	<b>CMIL6MF</b>		Direct output connector <b>MIL6M</b>
	<b>CMIL6FV5</b>		Female 6 poles straight <b>MIL6M</b> CONNECTOR complete PVC CABLE, shielded, length 5 m.
	CODE		<sup>(3)</sup> OPTION
	<b>CONNM12MF</b>		Direct output connector <b>M12</b>
	<b>CONNM12FV5</b>		Female 5 poles straight <b>M12x1</b> CONNECTOR complete PVC molded CABLE, shielded, length 3 m.
	<b>CRT</b>		Calibration Report. Compression or TENSION

## Electrical Connections

**STANDARD OUTPUT:** PVC 105°C shielded cable,  $\varnothing$  5.2mm with  $4 \times \varnothing$  0.35mm<sup>2</sup> soldered conductors.  
Shield connected to the body of the transducer.

Load cell	OUTPUT	CABLE		MIL6M <sup>(2)</sup> (optional)	M12 <sup>(3)</sup> (optional)
	EXCITATION + EXCITATION - OUTPUT + OUTPUT - -----	Red Black White Yellow Shield		A B D C F	1 3 2 4 5

**NORDIC TRANSDUCER DENMARK** [www.ntt.dk](http://www.ntt.dk) [ntt@ntt.dk](mailto:ntt@ntt.dk)

Al fine di migliorare le prestazioni tecniche del prodotto, la società si riserva di apportare variazioni senza preavviso.  
In order to improve the technical performances of the product, the company reserves the right to make any change without notice.