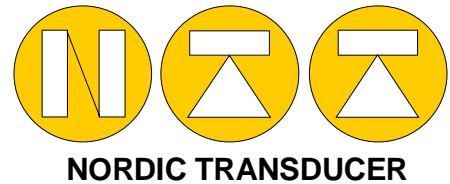


TYPE: TA-1i-IP68 Shear beams from 500kg to 1.76t OIML R60 C3...C4



TA-1i-IP68 is an environmentally sealed shear beam load cell which is excellent for use in floor scales, u-pallet scales, batching plants and other in/outdoor weighing applications.

Environmental protection are provided by special laser welding of metal covers for mechanical and environmentally protection of gauge area.

TA-1i are made of stainless steel welded construction to IP68
Matched outputs are made on all cells within an accuracy of 0.01mV.

NOW AS OPTION IP69 Protection

TA-1i-IP68 beams supplied in capacity from 500kg to 1.76t. all 2mV/V, OIML R60 C3 - C4
Also special silo mounts are available for this type of cell up to 1.76t capacity.



ATEX approved as Option delivery on all capacities

TA-1i SPECIFICATIONS

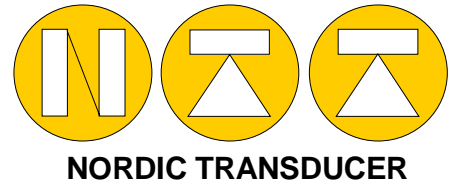
NOMINAL LOAD	500kg, 750kg, 1.0t, 1.1t, 1.5t 1.760t	a) minimum load	0%
Vmin: Emax	15000	b) service load	120%
COMBINED ERROR	< 0.02%	c) max. permissible load	150%
NON REPEATABILITY	< 0.02%	d) breaking load	>300%
CREEP (30min)	< 0.02%	e) max. side load	50%
TEMPERATURE EFFECT 10°C	on zero < +/- 0.03 % on span < +/- 0.008 %	DISPLACEMENT N. LOAD	0.4-mm
		NOMINAL TEMP. RANGE	- 10/+40 °C
		SERVICE TEMP. RANGE	-20/+60 °C
NOMINAL SENSITIVITY +/-0.01	2mV/Volt	PROTECTION CLASS	IP68
INPUT RESISTANCE	350 +/-3 Ohm	PROTECTION	Welded
OUTPUT RESISTANCE	350 +/-3 Ohm	CELL MATERIAL	Stainless steel
ZERO BALANCE	1.0%	CABLE LENGTH	Ø4.5mm x 5m
SUPPLY VOLTAGE	5V - 15 Volt	CE Certification OIML R60	E-01.02.C07

All specifications subject to change without notice

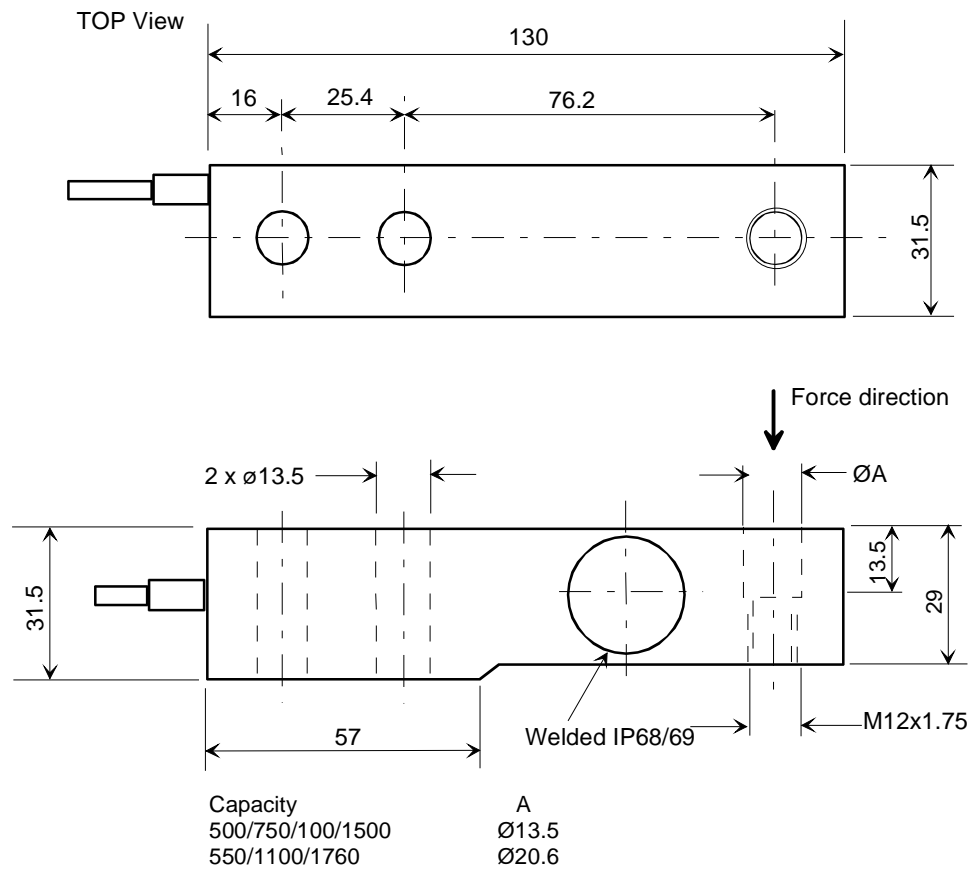
Cable color code

Red + Excitation Green + signal
Black - Excitation White - signal
(6 Wire Option)

TYPE: TA-1 beams from 500kg to 1.76t

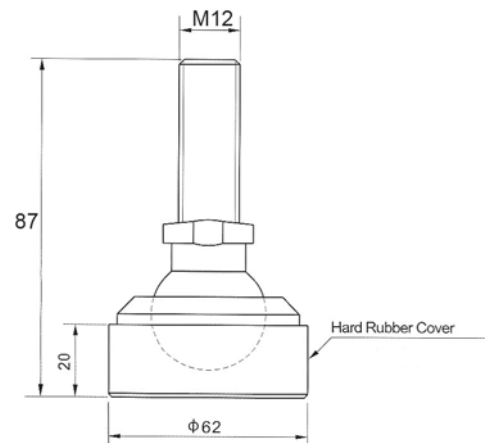


Dimensions mm



LHG005-02 ball bearing foot
for 500kg 1.76ton cells

*Mounting on the floor
for support up under silo o.l.*



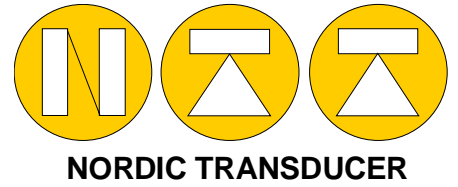
Min. 12mm for up to 1ton
1.76 ton min. 15mm



*Mounting up under silo leg o.l.
for standing on floor.*

Class 12.9 bolt should be used to get best result

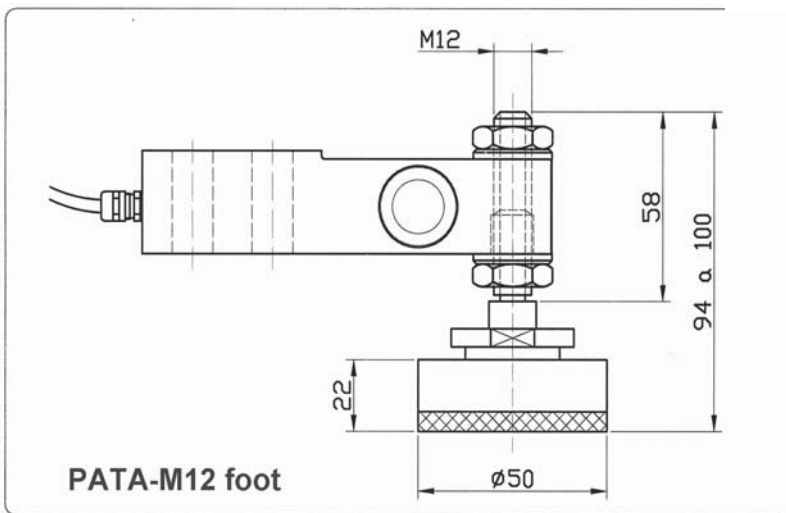
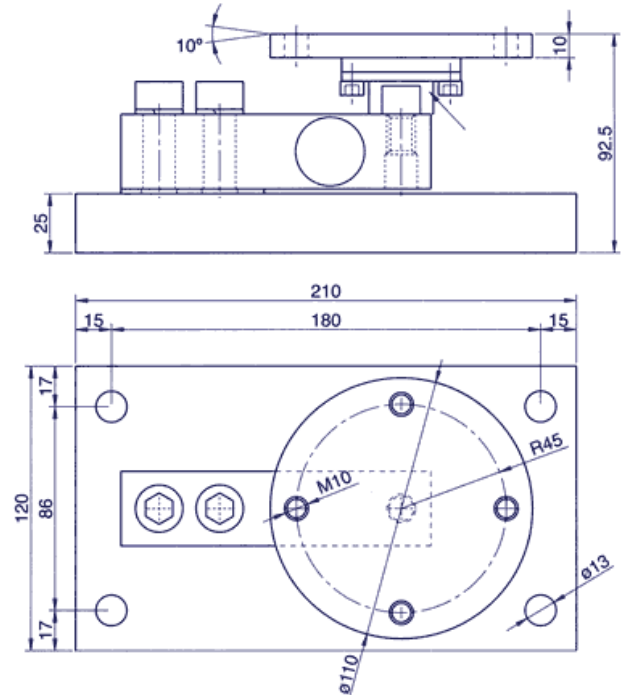
TYPE: TA-1i beams Tank supports



Tank weighing supports can also be supplied for TA-1i both in steel and stainless steel construction



Model TA-1i-ANTIV A Silo Mount



Model PATA-M12 Stainless Steel Adjustable foot for High Accuracy weighing

Model TA-ANTIV-SBG from 750 kg - 1760 kg with special vibraton damping support

