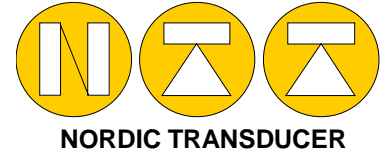


T20-T24 Tension Cell

2018



WIRELESS TRANSMISSION
Worldwide approved, license
exempt **2.4GHZ Radio transmission**



NORDIC TRANSDUCER

The **T20** is a stainless steel tension type cell which can be used many places where "normal" tension load cells not are appropriate. It is equipped with the very modern **2.4 GHz** wireless **T24** transmission system which can work up to more than 100m .

T24-HS hand-held indicator will receive the weighing result from 1 load cell, **T24-HA** can receive from up to 8 different load cells. Transmission can also be done to a **RS232/485** communication box or an analogue unit on the ground so the weighing results can be handled in **PC/PLC** what must fit best to your applications.

Please contact us for more information on this new approach in wireless weighing.



T20-T24 SPECIFICATIONS

NOMINAL LOAD	5-7.5-10-15-20ton	a) minimum load	0%
MINIMUM RANGE	0- 20% of max.	b) service load	120%
COMBINED ERROR	< +/- 0.023%	c) max. permissible load	150%
NONREPEATABILITY	< +/- 0.014%	d) breaking load	>300%
ZERO DRIFT 30MIN	< +/- 0.030%	e) max. side load	200%
TEMPERATURE EFFECT 10°C		f) max. dynamic load	75%
on zero	< +/- 0.028 %	DISPLACEMENT N.LOAD	0.3mm
on span	< +/- 0.008 %	NOMINAL TEMP. RANGE	- 10/+40 °C
NOMINAL SENSITIVITY +/-0.1%	2mV/Volt	SERVICE TEMP. RANGE	-20/+70 °C
INPUT RESISTANCE	420 Ohm	PROTECTION CLASS	IP68
OUTPUT RESISTANCE	350 Ohm	WEIGHT	4.43 - 10 kg
ZERO BALANCE	0.5%	CELL MATERIAL	Stainless steel
SUPPLY VOLTAGE N.10V	2 - 15 Volt	CABLE LENGTH	-

All specifications subject to change without notice

Gravity acceleration $g = 9.804537 \text{ m/s}^2$

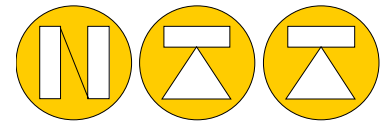
Cable: PVC 105°C Ø6.5mm with 4 tinned conductors Ø 0.35mm² and tinned shield

Nordic Transducer

Als Odde, DK-9560 Hadsund Denmark

Tel.: +45 98581444, Fax.: +45 98581866

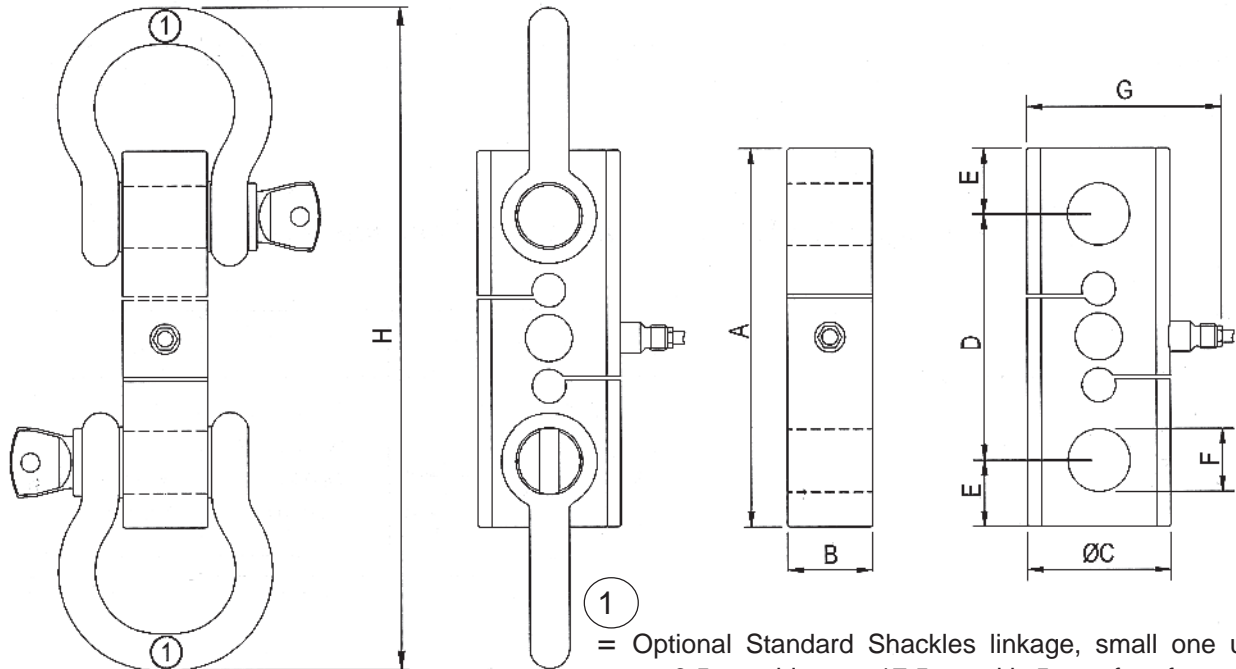
E-mail: ntt@ntt.dk WEB: www.ntt.dk



NORDIC TRANSDUCER

LOAD CELL TYPE T20-C2

T20-C2 DIMENSIONS



① = Optional Standard Shackles linkage, small one up to 9.5 ton, big one 17.5ton with 5 x safety factor

CODE	LOAD	A	B	ØC	D	E	*F	G	H
TC205TC2	5t	200	45	76	130	35	33	103	434
TC2075TC2	7.5t	200	45	76	130	35	33	103	434
TC2010TC2	10t	200	45	76	130	35	33	103	434
TC2015TC2	15t	250	54	82	156	47	42.5	109	566
TC2020TC2	20t	250	54	82	156	47	42.5	109	566



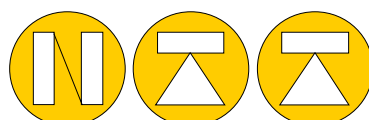
Wiring:

Excitation+	Red
Excitation-	Black
Output+	White
Output-	Yellow



T24-AO1

analogue output module drive from the wireless communication from the load cell



NORDIC TRANSDUCER

Nordic Transducer

Als Odde, DK-9560 Hadsund Denmark

Tel.: +45 98581444, Fax.: +45 98581866

E-mail: ntt@ntt.dk WEB: www.ntt.dk