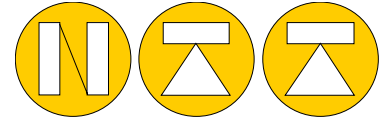




Inductive Position Transducer SM205 +/-1.5mm & +/-2mm ranges

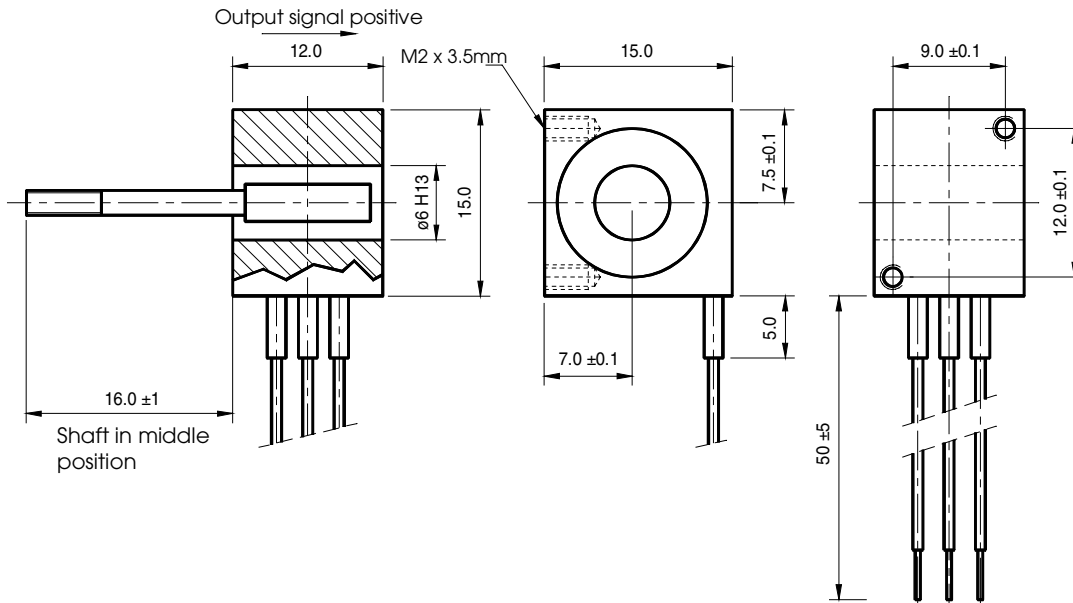


NORDIC TRANSDUCER

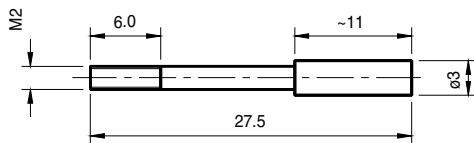


SM205 M2 Thread, +/-1.5mm or +/-2mm working range

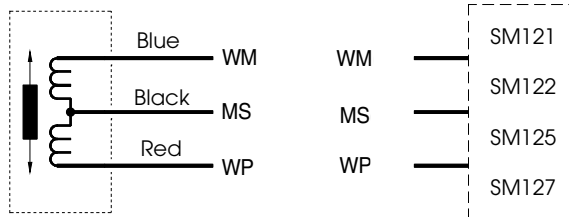
Working range: +/- 1.5mm or +/-2mm
 Linearity: +/-0.5% (option +/-0.25%)
 Sensitivity: 240mV/mm +/-10%
 Wiring: 50mm long 3 wire kynar
 Plunger: 3mm with M2 thread, brass with chrome on signal part.



Shaft/plunger dimensions:



Connections



Electronic Module

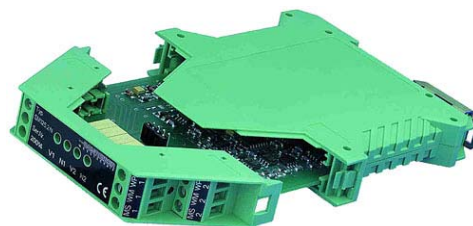


SM120 series electronic excitation modules for SM205 Mini inductive transducer

Order information:

SM205.3.2

+/-1.5mm = 3
 +/-2.0mm = 4
 2 = 0.5%
 1 = 0.25%



Nordic Transducer Als Oddevej 85 DK-9560 Hadsund Danmark
 Tel. +45 98 58 14 44 fax. +45 98 58 18 66 e-mail: ntt@ntt.dk WEB: www.ntt.dk