

S2-A

Capacity

300* - 500 - 750 - 1000 kg

CE
Certificate
N° E-00.02.C04

Up to 4000 divisions OIML-R60

Measuring element from steel alloy

Protected against corrosion by nickel-plated treatment

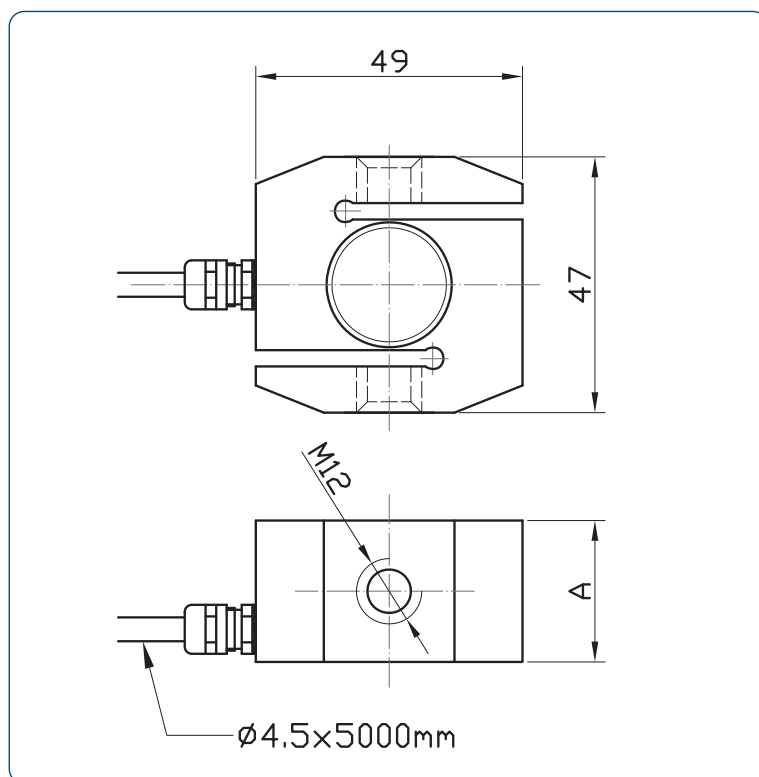
Available in stainless steel

Protected against humidity IP-67
(EN 60529)

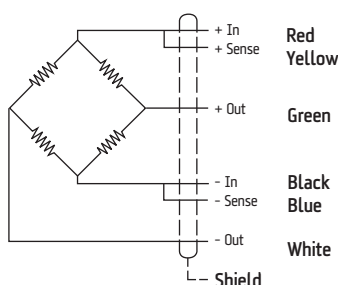


Technical Data

Accuracy class	C3-C4
Rated output	$2 \pm 0.1\%$ mV/V
Vmin	E _{max} /12000
Excitation Voltage	5÷15 V
Input Resistance	$350 \pm 3 \Omega$
Output resistance	$350 \pm 3 \Omega$
Temperature limits OIML R60	-10° C / +40° C
Insulation resistance	> 5000 MΩ



Capacity [Kg]	300	500	750	1000
A	20	26	26	26

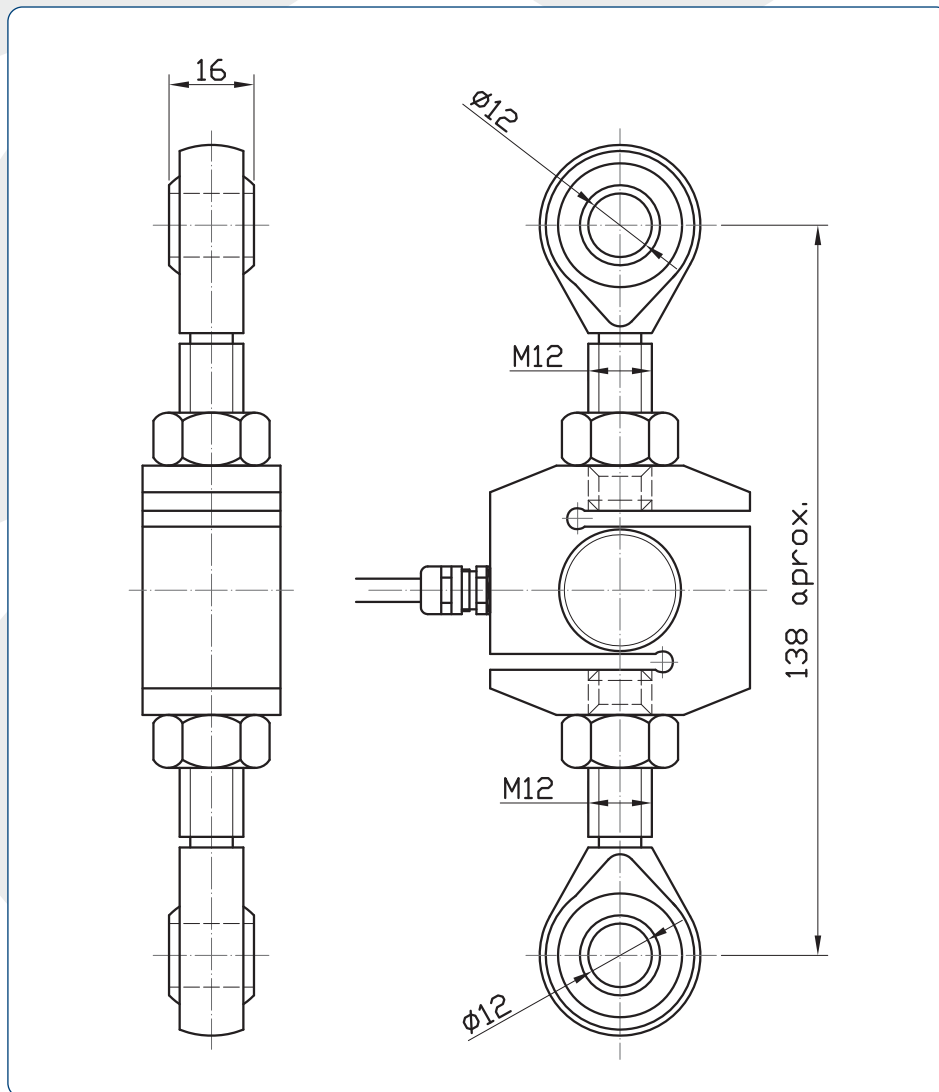


Connections
Optional Sense

* Capacities without CE Test Certificate



NORDIC TRANSDUCER
DK-9560 Hadsund Denmark
ntt@ntt.dk www.ntt.dk



Knuckle eye