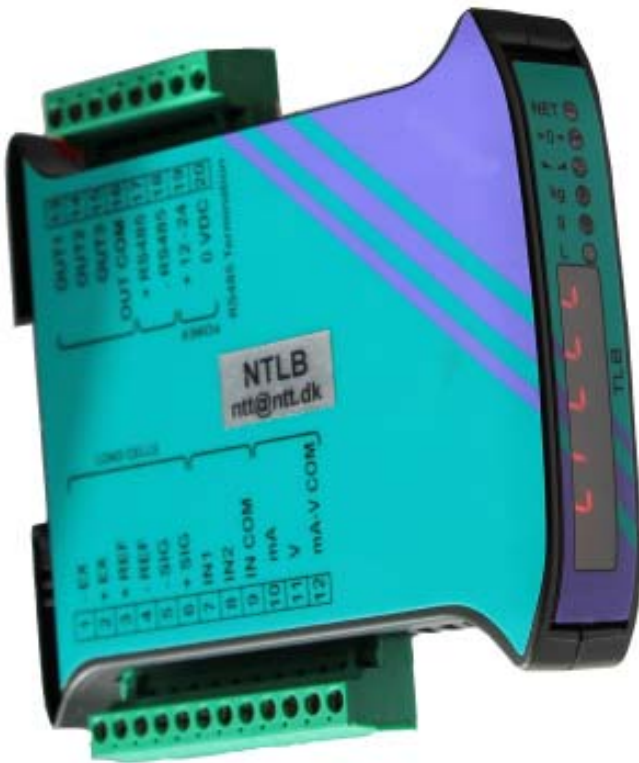
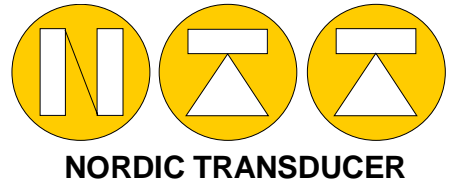


NTLB Analog Weight Transmitter



Weight transmitter and indicator for DIN rail mounting suitable for back panel; space-saving vertical shape. Six-digit semialphanumeric display (8mm h), 7 segment LED. Four buttons. Dimensions: 25x115x120 mm.

The instrument is equipped with a RS485 serial port for connection to:
 - PC/PLC up to 32 instruments (max 99 with line repeaters) by ASCII protocol (compatible with W60000) or ModBus RTU.

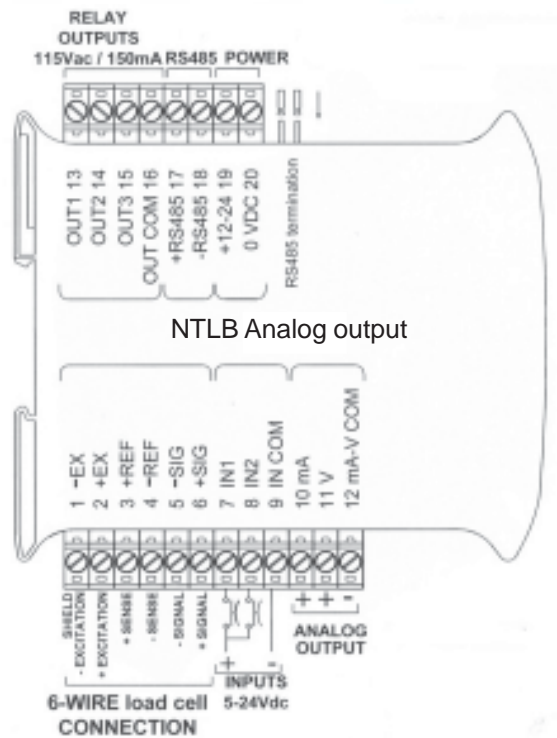
Optional protocols: Profi bus, DP, Ethernet/ModbusTCP, USB and Radio by appropriate converter.

- Remote display.

Optoisolated analog output 16bit: 0-20mA; 4-20mA (max 300ohm); 0-10V; 0-5V;

± 10V; ± 5V (min 10kohm).

THEORETICAL CALIBRATION by using buttons.



POWER SUPPLY and CONSUMPTION

No LOAD CELLS IN PARALLEL and SUPPLY

LINEARITY / LINEARITY OF THE ANALOG OUTPUT

THERMAL DRIFT / THERMAL DRIFT OF THE ANALOG OUT.

A/D CONVERTER

MAX DIVISIONS (with measure range: +/- 10mV =2mV/V)

MEASURE RANGE

MAX LOAD CELL'S SENSITIVITY

MAX CONVERSIONS PER SECOND

DISPLAY RANGE

DIGITAL FILTER / CONVERSION RATE

LOGIC RELAY OUTPUTS

LOGIC INPUTS

SERIAL PORT

BAUD RATE

HUMIDITY (condensate free)

STORAGE TEMPERATURE

WORKING TEMPERATURE

12 - 24 VDC +/- 10% ; 3 W

max 8 (350 ohm) ; 5VDC/120mA

< 0.01% Full Scale / < 0.01% F.S.

< 0.0005 % F.S. /°C < 0.003 % F.S. /°C

24 bit (16000000 points) 4.8kHz

± 999999

± 39 mV

± 7 mV/V

300 conversions/sec.

-999999; +999999

0.012 - 7 s / 5 - 300 Hz

N.3- max 115VAC /150mA

N.2 -optoisolated 5-24VDC PNP

RS485

2400, 4800, 9600, 19200, 38400, 115200

85 %

- 30°C + 80°C

- 20°C + 60°C

