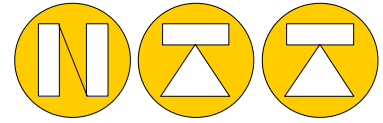


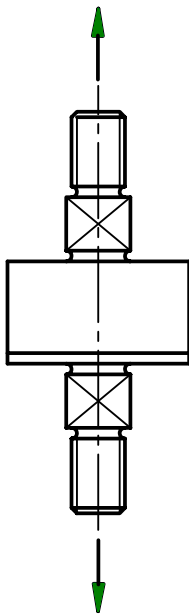
Type K- 1107

Tension force miniature transducer



NORDIC TRANSDUCER

- *simple assembly*
- *very small dimensions*
- *ranges 10 ..100 N*

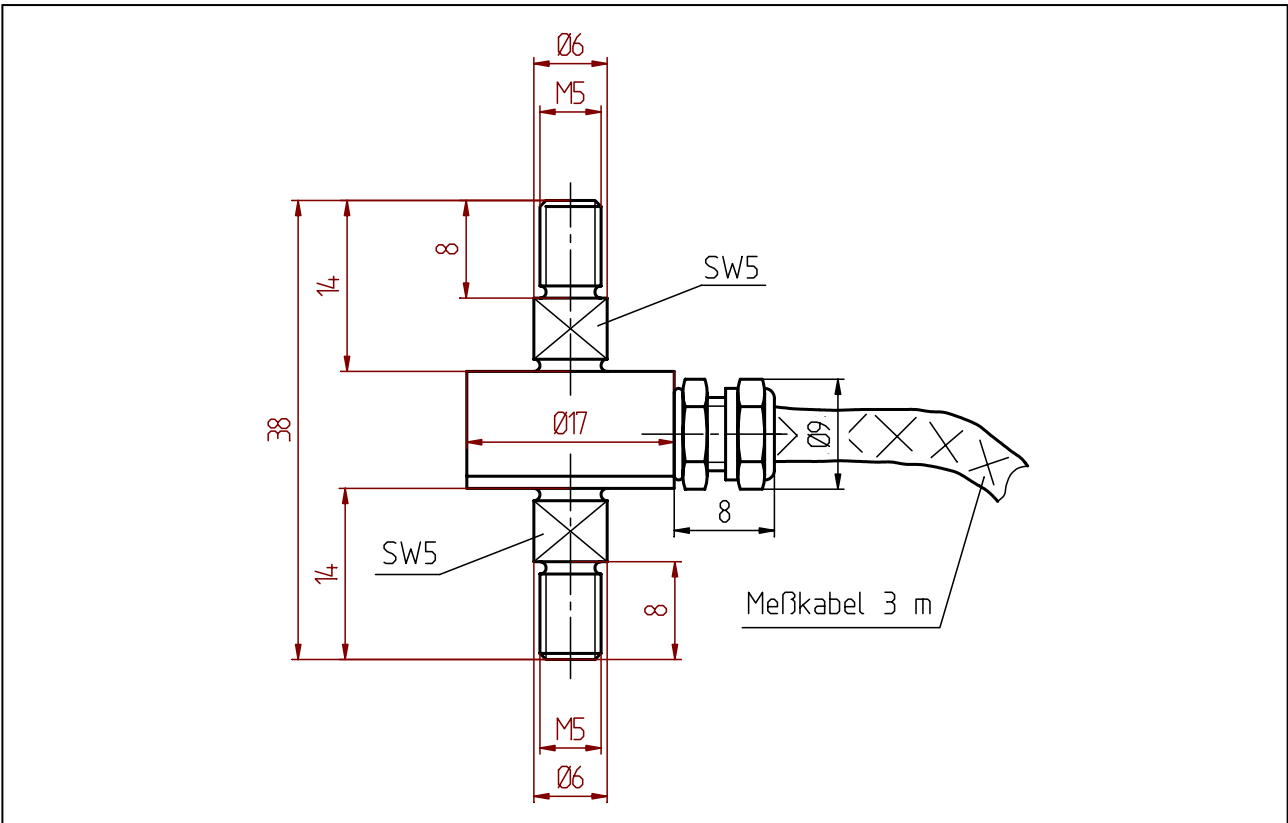


M5 Threads

Connections	
<i>supply (-)</i>	<i>green</i>
<i>supply (+)</i>	<i>brown</i>
<i>sign. (+)</i>	<i>yellow</i>
<i>sign. (-)</i>	<i>white</i>
<i>calibration control (option)</i>	<i>grey</i>
<i>shield</i>	<i>shield</i>

Dimensions

K-1107



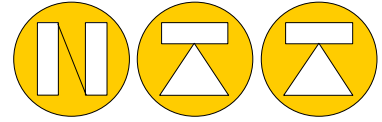
Specifications

Type	K-1107	
nominal load	10 / 20 N	50 / 100 N
material	Aluminium	Stainless steel
accuracy class for tension	S%	0,2
service load	S%	130
limit load	S%	150
ultimate load	S%	>200
max. dyn. load (DIN 50 100)	S%	70
position feedback	mm	<0,1
bridge resistance	Ω	350
insulation resistance	Ω	>2*10 ⁹
supply voltage	V	2 ... 8
max. supply voltage	V	8
sensitivity (S)	mV/V	0,5 ± 15%
tolerance of sensitivity	S%	±0,1
temp. coeff. of sensitivity	S%/10K	±0,2
temp. coeff. of zero	S%/10K	±0,2
reference temperature	°C	23
nominal temp. range	°C	+5 ... +45
service temp. range	°C	-10 ... +70
combined error	S%	0,16
creep error	S%/30min.	<±0,1
level protection (DIN 40 050)	IP 60	
cable	3 m free wires	

Option - options

Se next page	
--------------	--

Please specify requested nominal load at order !



NORDIC TRANSDUCER

NTT instrumentation does cover the whole range from analog excitation units to high speed instruments + also battery based units as the DFI shown here.



K-100 mini load cell M10 10kN



DFI battery based instrumentation



Digital amplifier + set-point controller

Analog & Digital amplifiers for all type of jobs