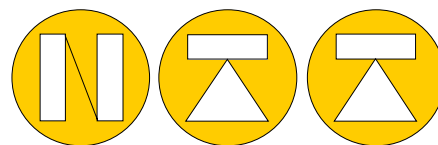


Bending Load Cell

Type FX-1

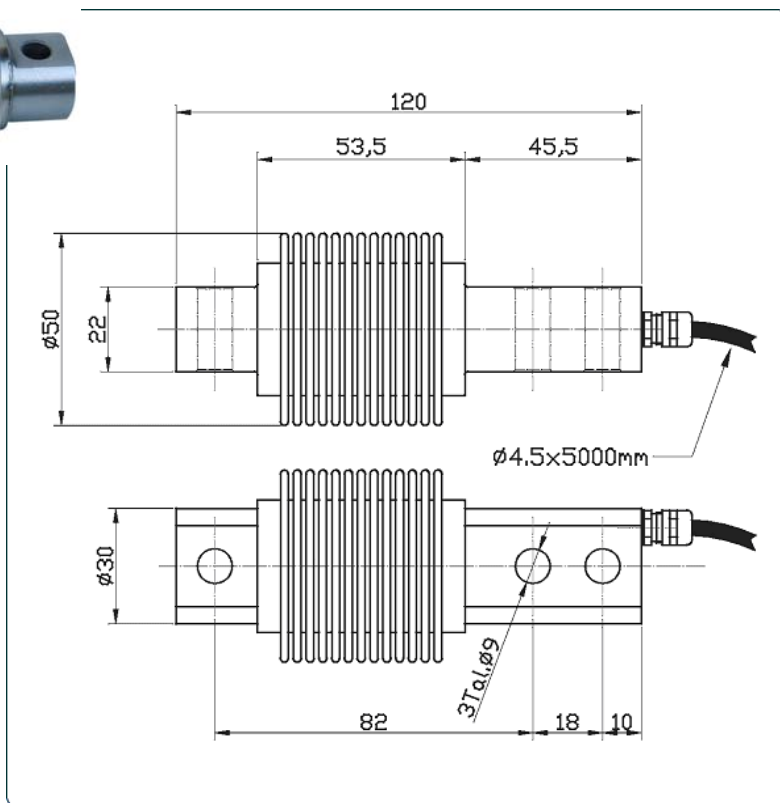


NORDIC TRANSDUCER



Fully Welded IP68

From 10kg to 300kg



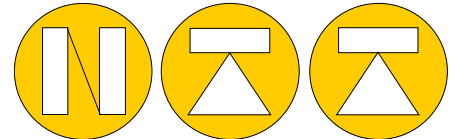
FX-1 SPECIFICATIONS

NOMINAL LOAD	10 - 15 - 25 - 50 - 100 - 150 - 200 - 250 - 300kg		
Produced according to:	OIML R60 Class C3 - C4		
Combined Error	< +/- 0.020%		
Non-Repeatability	< +/- 0.010%		
Zero Drift 30min.	< +/- 0.015%		
Min. Dead load $Z=E_{max}/2DR$	6000		
TEMPERATURE EFFECT 10°C			
on zero	< +/- 0.010 %		
on span	< +/- 0.010 %		
V_{min}	E _{max} /15000		
NOMINAL SENSITIVITY +/-0.1%	2mV/Volt	a) minimum load	0%
INPUT RESISTANCE	350 Ohm +/-3 Ohm	b) service load	120%
OUTPUT RESISTANCE	350 Ohm +/- 3 Ohm	c) max. permissible load	150%
ZERO BALANCE	0.5%	d) breaking load	>300%
SUPPLY VOLTAGE N.10V	5 - 15 Volt	e) max. side load	100%
Wiring:	Excitation+ Red Sense + Yellow Excitation- Black Sense - Blue Output+ Green Output- White	f) max. dynamic load	50%
		DISPLACEMENT N.LOAD	0.3mm
		TEMP. RANGE OIML R60	- 10/+40 °C
		PROTECTION CLASS	IP68
		CELL MATERIAL	Stainless Steel
		CABLE Ø 4.5mm length	5 meter

Nordic Transducer

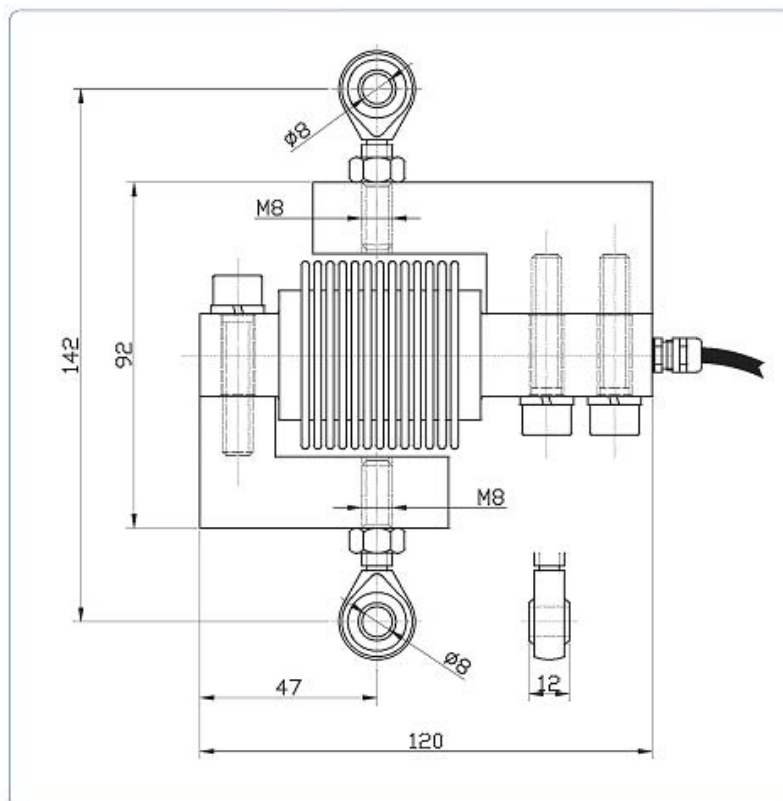
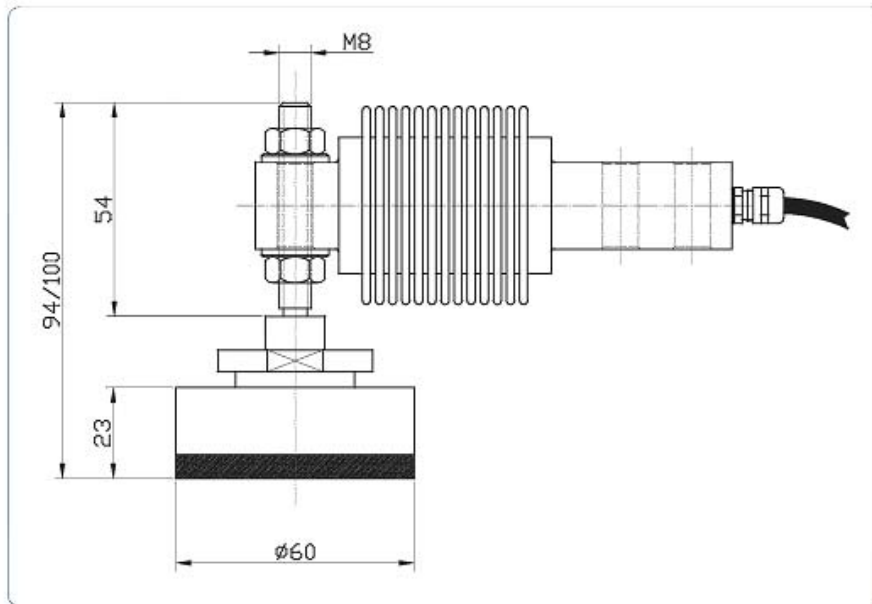
All specifications subject to change without notice

Type FX-1



NORDIC TRANSDUCER

PATA/FX1-M8 self centering Foot



TRAC/FX1 Tension set in nickel plated finish

Standard Rod end Bearings as shown can also be supplied !

Nordic Transducer

Als Odde, DK-9560 Hadsund Denmark

Tel.: +45 98581444, Fax.: +45 98581866

E-mail: ntt@ntt.dk, WEB: www.ntt.dk