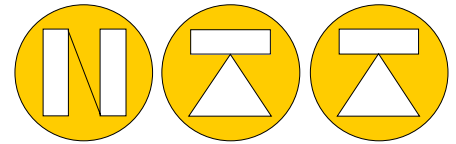


Bending Load Cell

Type FX-1 10kg ... 200kg

Delivered as CC non approved or C3-C4
OIML 60 approved



NORDIC TRANSDUCER



Fully Welded IP68 (EN 60529)

From 10kg to 200kg

Optional version:

ATEX version II 1GD Ex IIC T4..T6, II 1GD Ex IIIC T135C DA



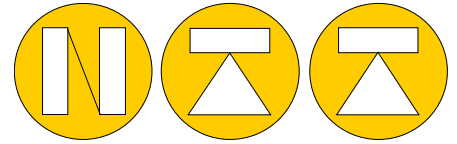
FX-1 SPECIFICATIONS

NOMINAL LOAD	10-15-25-50-100-150-200kg			
Produced according to:	OIML R60 Class C3 - C4			
Combined Error	< +/- 0.020%			
Non-Repeatability	< +/- 0.010%			
Zero Drift 30min.	< +/- 0.015%			
Min. Dead load Z=E _{max} /2DR	1/15000			
TEMPERATURE EFFECT 10°C				
on zero	< +/- 0.010 %			
on span	< +/- 0.010 %			
V_{min}	E _{max} /15000			
NOMINAL SENSITIVITY +/-0.1%	2mV/Volt	a) minimum load	0%	
INPUT RESISTANCE	350 Ohm +/-3 Ohm	b) service load	120%	
OUTPUT RESISTANCE	350 Ohm +/- 3 Ohm	c) max. permissible load	150%	
ZERO BALANCE	0.5%	d) breaking load	>300%	
SUPPLY VOLTAGE N.10V	5 - 15 Volt	e) max. side load	100%	
Wiring:	Excitation+ Red	Sense + Yellow	f) max. dynamic load	50%
			Excitation- Black	DISPLACEMENT N.LOAD
	Sense - Blue	Sense wires optional !	TEMP. RANGE OIML R60	- 10/+40 °C
Output+ Green	PROTECTION CLASS		IP68	
Output- White		CELL MATERIAL	Stainless Steel	
		CABLE Ø 4.5mm length	5 meter	

Nordic Transducer

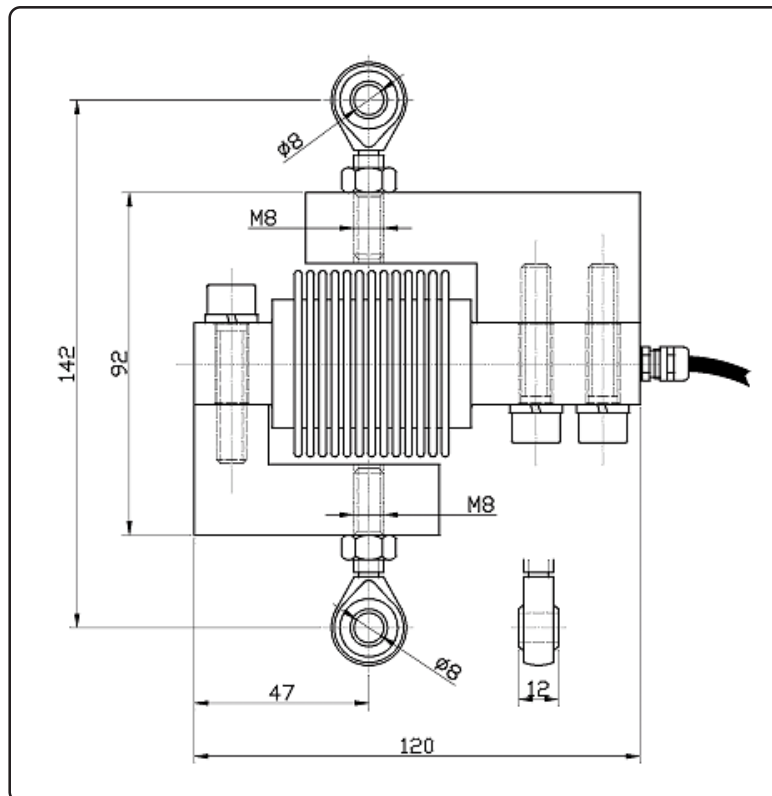
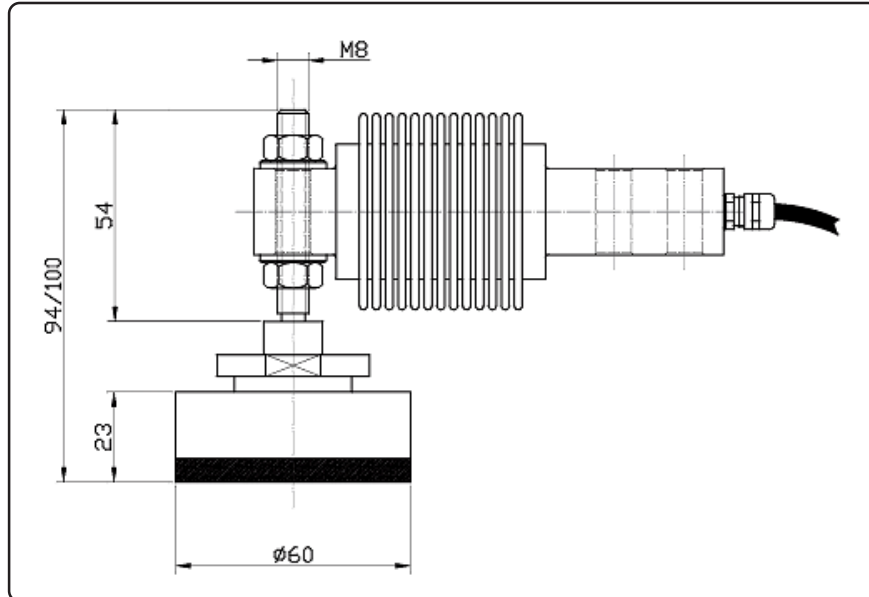
All specifications subject to change without notice

Type FX-1



NORDIC TRANSDUCER

PATA/FX1-M8 self centering Foot



TRAC/FX1 Tension set in nickel plated finish

Standard Rod end Bearings as shown can also be supplied !

Nordic Transducer

Als Odde, DK-9560 Hadsund Denmark

Tel.: +45 98581444, Fax.: +45 98581866

E-mail: ntt@ntt.dk, WEB: www.ntt.dk

