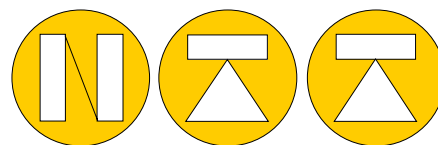


# Bending Load Cell Type FX-2

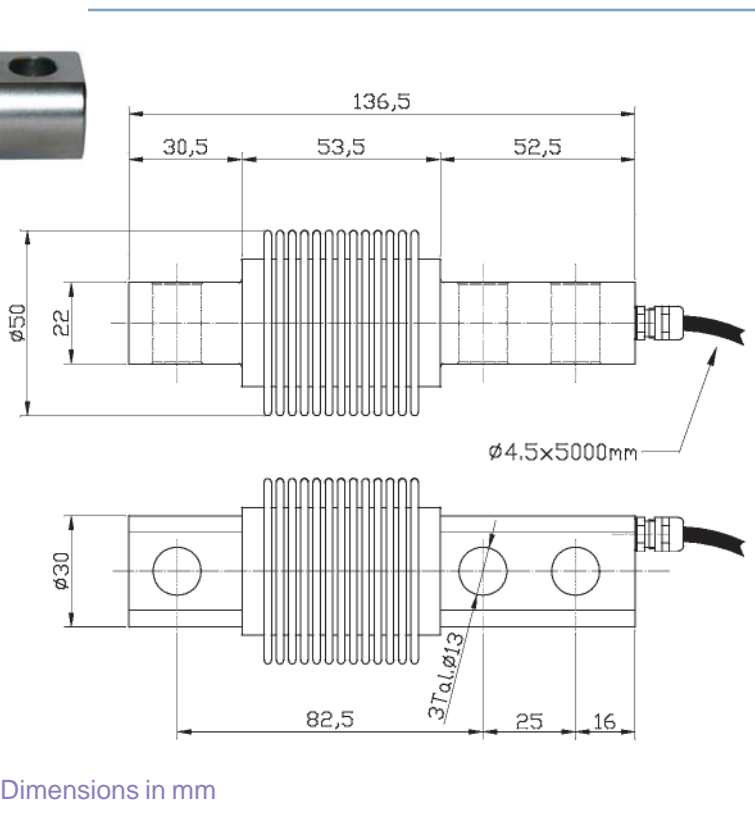


NORDIC TRANSDUCER



Fully Welded IP68 (EN 60529)

Capacities:  
from 15kg to 1500kg  
For M12 bolts



## FX-2 SPECIFICATIONS

NOMINAL LOAD	15-25-30-50-75-100-150-200-250-300-500-750-1000-1500kg		
Produced according to:	OIML R60 Class C3 - C4		
Combined Error	< +/- 0.020%		
Non-Repeatability	< +/- 0.010%		
Zero Drift 30min.	< +/- 0.015%		
Min. Dead load $Z=E_{max}/2DR$	6000		
TEMPERATURE EFFECT 10°C			
on zero	< +/- 0.010 %		
on span	< +/- 0.010 %		
V <sub>min</sub>	E <sub>max</sub> /15000		
NOMINAL SENSITIVITY +/-0.1%	2mV/Volt	a) minimum load	0%
INPUT RESISTANCE	350 Ohm +/-3 Ohm	b) service load	120%
OUTPUT RESISTANCE	350 Ohm +/- 3 Ohm	c) max. permissible load	150%
ZERO BALANCE	0.5%	d) breaking load	>300%
SUPPLY VOLTAGE N.10V	5 - 15 Volt	e) max. side load	100%
<b>Wiring:</b> Excitation+      Red Sense +            Yellow Excitation-      Black Sense -            Blue Output+          Green Output-          White	Sense wires optional !	f) max. dynamic load	50%
		DISPLACEMENT N.LOAD	0.3mm
		TEMP. RANGE OIML R60	- 10/+40 °C
		PROTECTION CLASS	IP68
		CELL MATERIAL	Stainless Steel
		CABLE Ø 4.5mm length	5 meter

## Nordic Transducer

Als Odde, DK-9560 Hadsund Denmark  
Tel.: +45 98581444, Fax.: +45 98581866  
E-mail: ntt@ntt.dk, WEB: www.ntt.dk

All specifications subject to change without notice

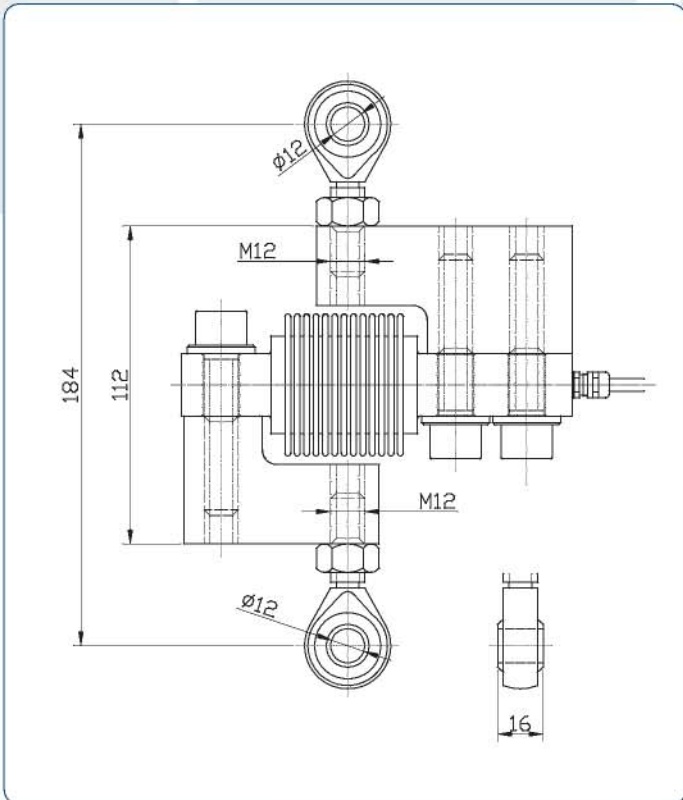
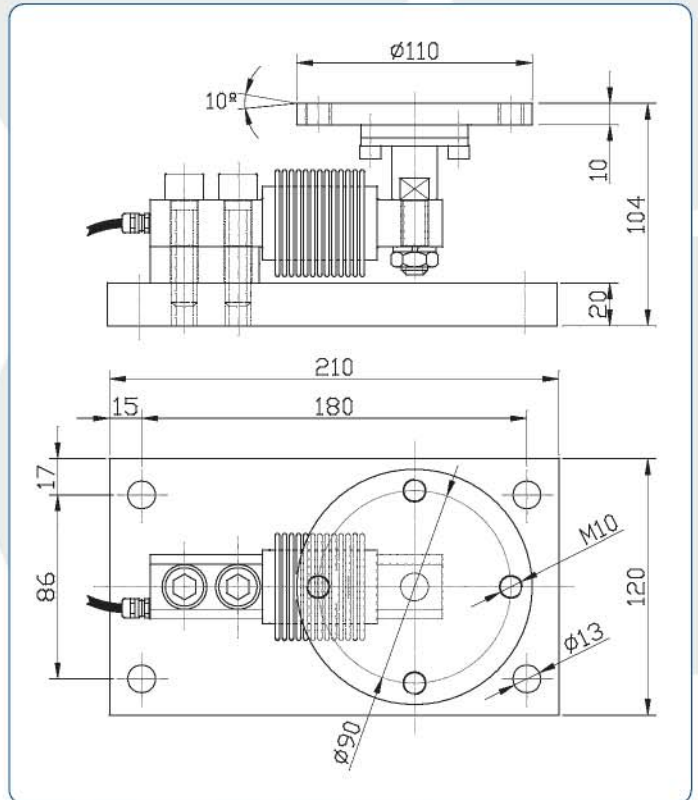
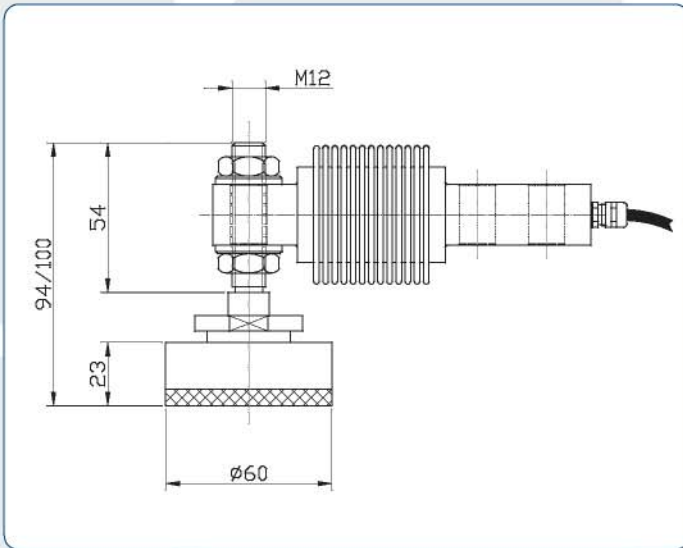
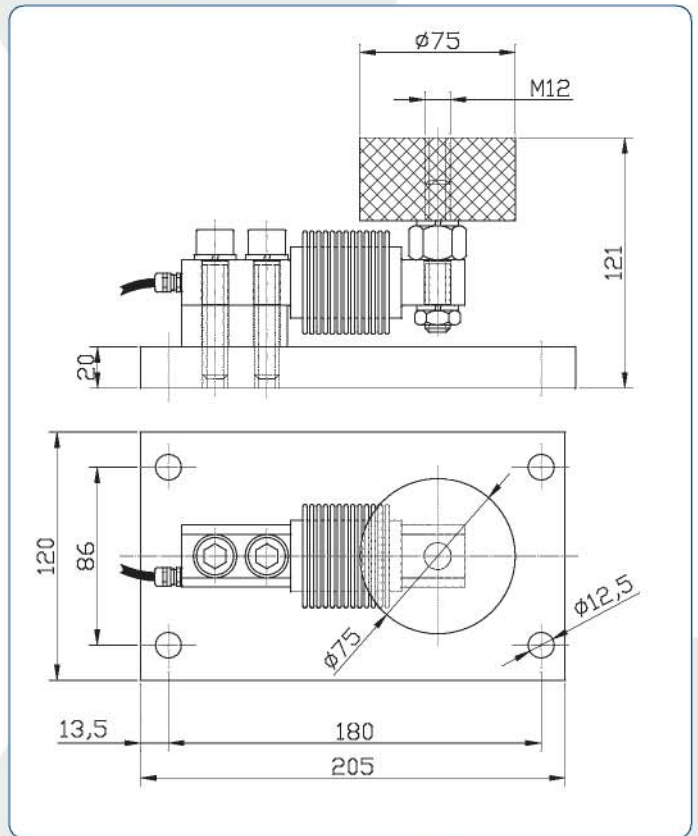
# FX-2 Accesorios - Accessories - Accessoires



**NORDIC TRANSDUCER**

Vibration damping mount FX2-ANTIV-SB max. 500kg

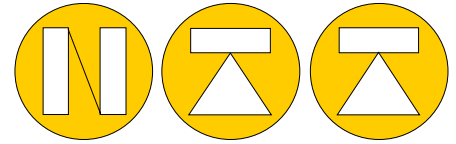
FX2-Foot: PATA/FX2-M12 ( adjustable )



FX2 Tension kit

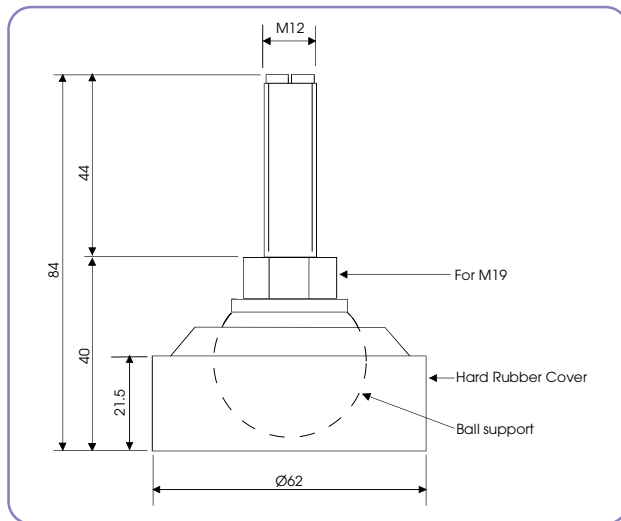
Tank weighing mount FX2-ANTIV

# Bending Load Cell Type FX-2



NORDIC TRANSDUCER

Dimensions in mm



Fixed Foot : LHG005SS-02



## Nordic Transducer

Als Odde, DK-9560 Hadsund Denmark

Tel.: +45 98581444, Fax.: +45 98581866

E-mail: [ntt@ntt.dk](mailto:ntt@ntt.dk), WEB: [www.ntt.dk](http://www.ntt.dk)