

CO-2

Capacity
2000 - 3000 - 4000 - 5000 kg


Certificate
LOM 07ATEX2006


Certificate
N° E-97.02.C10

Up to 4000 divisions OIML-R60

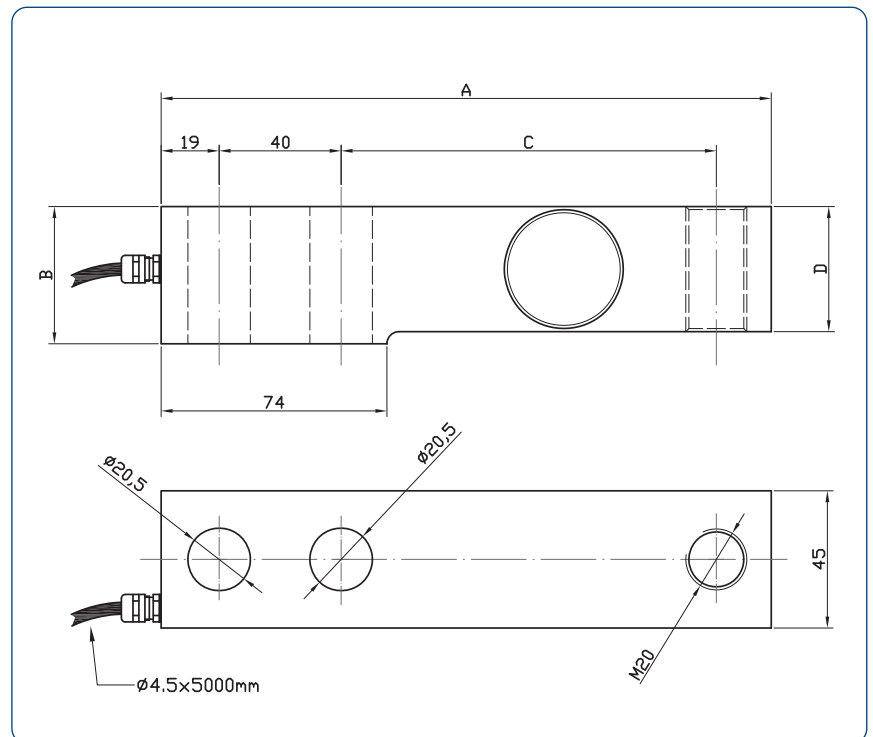
Fully stainless steel

Protected against humidity IP-67
(EN 60529)

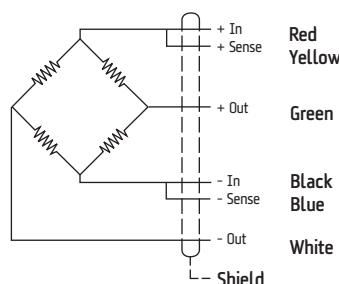
Available in ATEX version (optional)
( II 1GD Ex ia IIC T6 IP67 T85°C)

Technical Data

Accuracy class	C3-C4
Rated output	$2 \pm 0.1\%$ mV/V
Vmin	Emax/10000
Excitation Voltage	5÷15 V
Input Resistance	$350 \pm 3 \Omega$
Output resistance	$350 \pm 3 \Omega$
Temperature limits OIML R60	-10° C / +40° C
Insulation resistance	> 5000 M Ω



Capacity [kg]	A	B	C	D
2000 / 3000/ 4000	175	35	98	32
5000	200	45	123	41

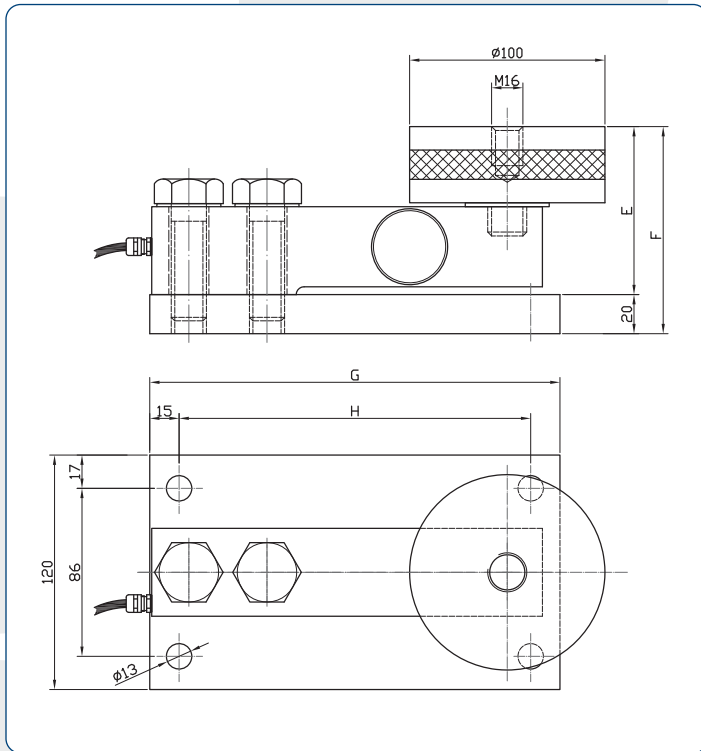


Connections
Optional Sense



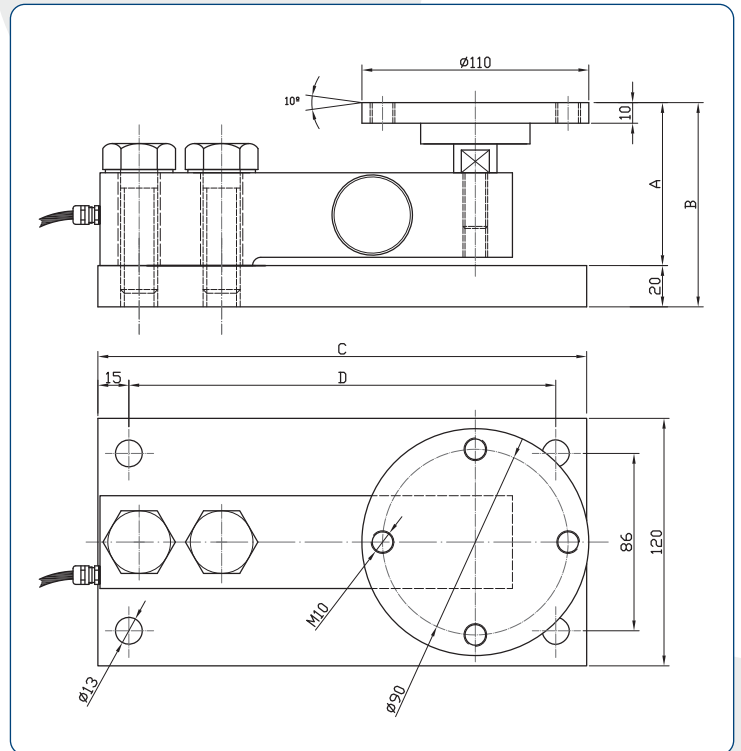
NORDIC TRANSDUCER
DK-9560 Hadsund Denmark
ntt@ntt.dk www.ntt.dk

Silent-Block



Capacity [kg]	E	F	G	H
2000 / 3000/ 4000	75	95	210	180
5000	85	105	240	210

Tank weigh module



Capacity [kg]	A	B	C	D
2000 / 3000/ 4000	69	89	210	180
5000	79	99	237	207

Load foot with adjustable height

