

# CO-1

## Capacity

300 - 500 - 750 - 1000 - 1500 kg



Certificate  
LOM 07ATEX2006



Certificate  
Nj E-97.02.C10

Up to 4000 divisions OIML-R60

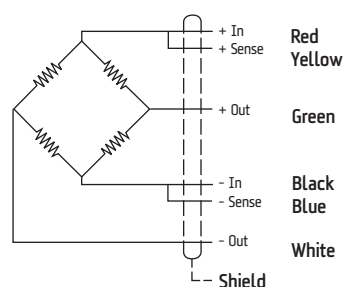
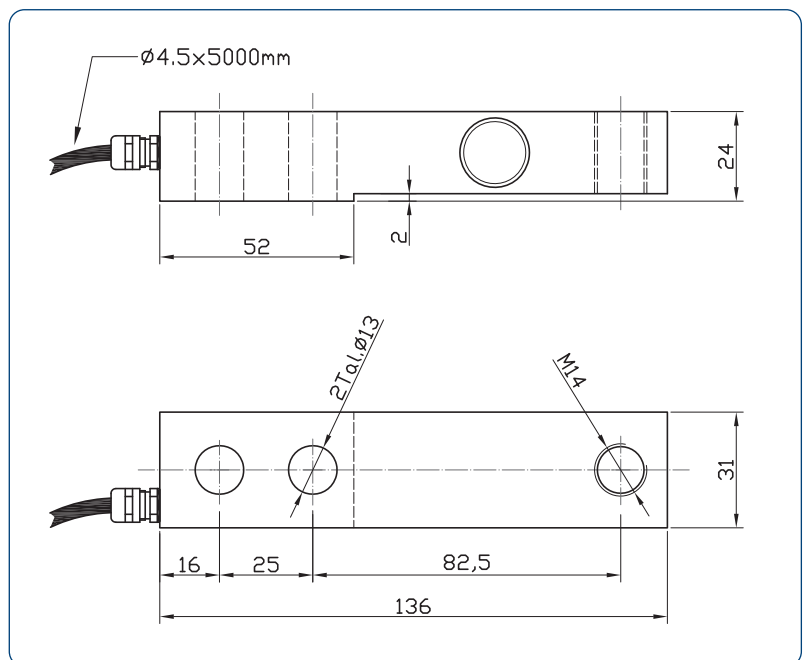
Fully stainless steel

Protected against humidity IP-67  
(EN 60529)

Available in ATEX version (optional)  
(Ex II 1GD Ex ia IIC T6 IP67 T85°C)

## Technical Data

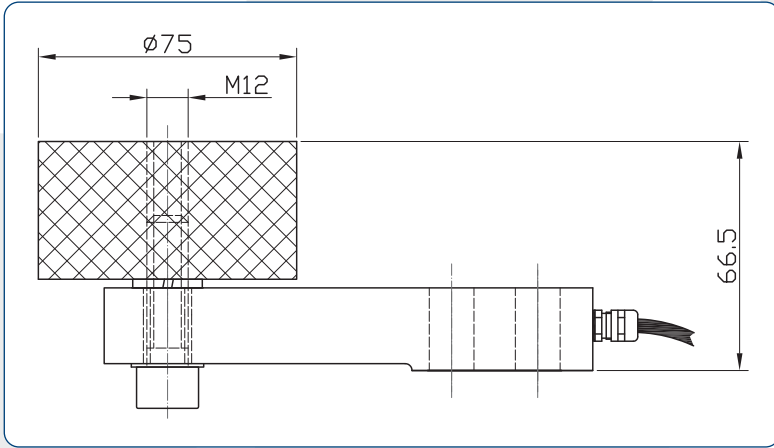
Accuracy class	C3-C4
Rated output	$2 \pm 0.1\%$ mV/V
Vmin	Emax/15000
Excitation Voltage	5÷15 V
Input Resistance	$350 \pm 3$
Output resistance	$350 \pm 3$
Temperature limits OIML R60	-10° C / +40° C
Insulation resistance	> 5000 M



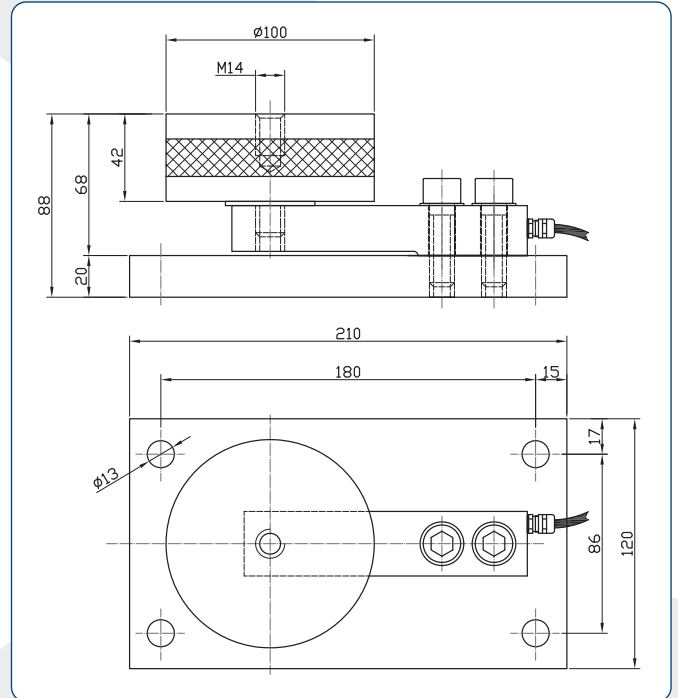
**NORDIC TRANSDUCER**  
DK-9560 Hadsund Denmark  
ntt@ntt.dk www.ntt.dk

**Connections**  
Optional Sense

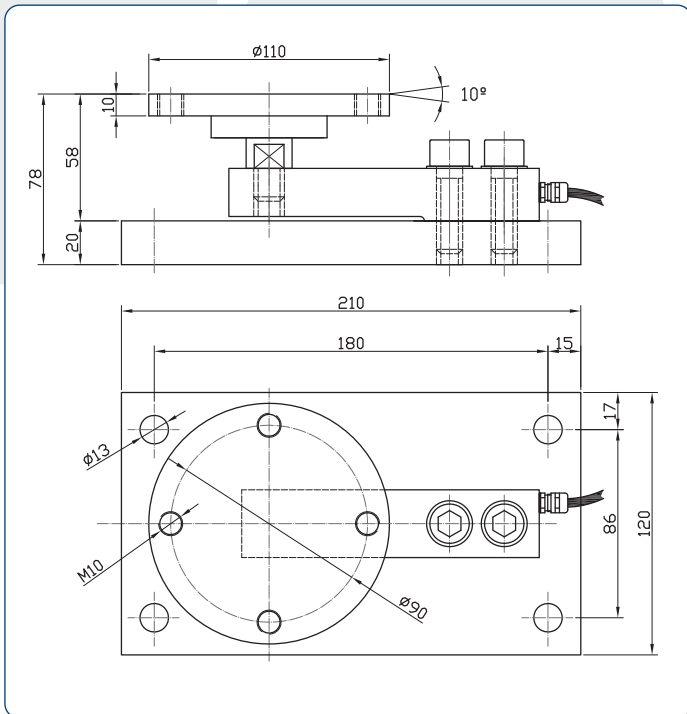
# CO-1 Accessories



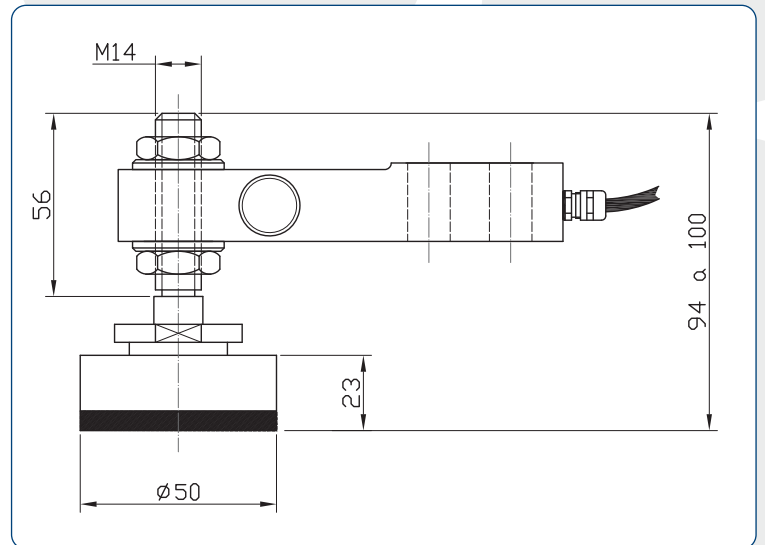
Silent-Block (up to 500 kg)



Silent-Block (750-1500 kg)



Tank weigh module



Load foot with adjustable height