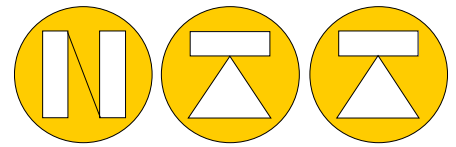




C2S-82 low profile load cell



NORDIC TRANSDUCER

OPTION:

C2S-82-AMP now also with amplifier for Industrial outputs as 4-20mA, 0-5Volt or 0-10Volt



C2S-82 with top head & bottom plate



IP68

Capacities from 250kg to 10ton at same size = Ø 82mm !

For perfect usage in:

- ° Platform scales
- ° Hopper / Silo weighing
- ° Other force measuring applications

The **C2S-82** is a very low profile hermetical sealed load cell made in stainless steel with IP68 protection grade.

Their compact size makes them ideally suited for applications where space also is limited.

Mounting plates and top load heads can be supplied as shown up to 10 ton, or a complete weighing unit **CBS-SM82** also as shown above (please look at separate information **CBS-CM82**)

Specification related to 2mV/V model C2 (C3 as option)

NOMINAL LOAD	250-500kg-1-2.5-5-7.5-10t	a) minimum load	0%
MINIMUM RANGE	20%	b) service load	120%
COMBINED ERROR	< +/- 0.028%	c) max. permissible load	150%
NONREPEATABILITY	< +/- 0.011%	d) breaking load	>300%
ZERO DRIFT 30MIN	< +/- 0.028%	e) max. side load	50%
TEMPERATURE EFFECT 10°C		f) max. dynamic load	50%
on zero	< +/- 0.025 %	DISPLACEMENT N.LOAD	0.06mm
on span	< +/- 0.020 %	NOMINAL TEMP. RANGE	- 10/+40 °C
NOMINAL SENSITIVITY +/-0.1%	2mV/Volt	SERVICE TEMP. RANGE	-20/+70 °C
INPUT RESISTANCE	700 Ohm	PROTECTION CLASS	IP68
OUTPUT RESISTANCE	700 Ohm	WEIGHT	1.38 kg
ZERO BALANCE	0.5%	CELL MATERIAL	Stainless steel
SUPPLY VOLTAGE N.10V	2 - 15 Volt	CABLE LENGTH	5 meter

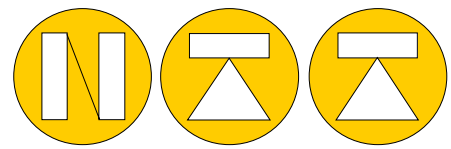
Cable: PVC 105°C Ø6.5mm with 4 tinned conductors Ø 0.35mm² and tinned shield

All specifications subject to change without notice

Nordisk Transducer Teknik

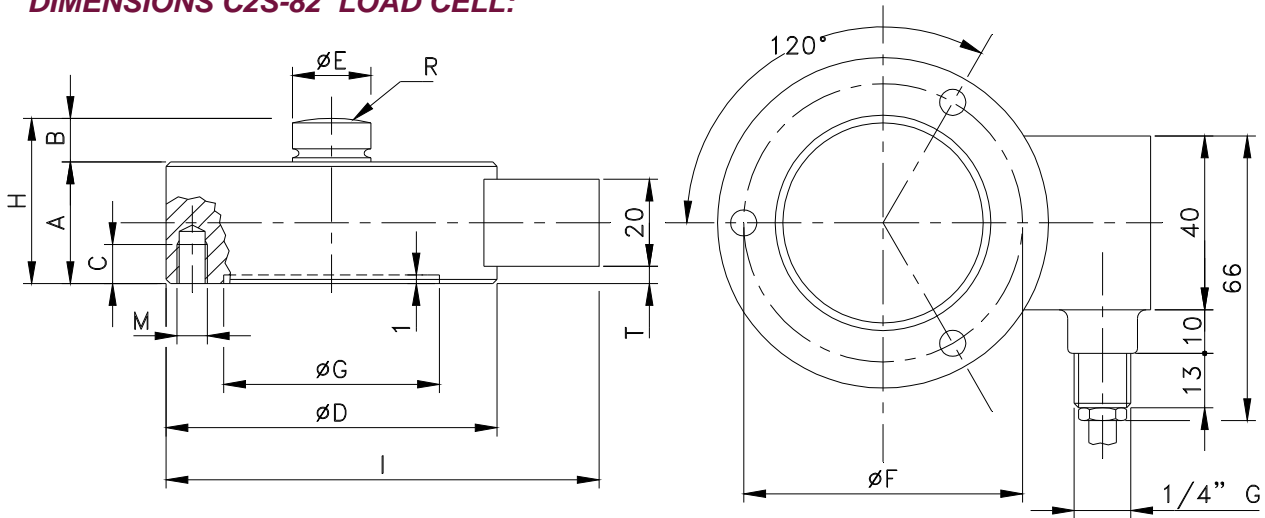


DIMENSIONS : C2S-82



NORDIC TRANSDUCER

DIMENSIONS C2S-82 LOAD CELL:

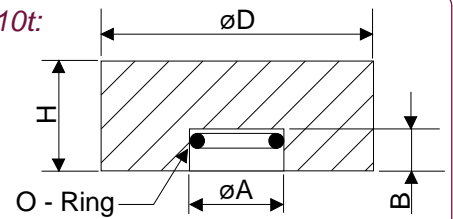


CODE	LOADS	A	B	C	øD	øE	øF	øG	H	I	N° HOLES	M	R	T
C2S-82	*X	32	12	10	82	22	68	54.6	44	104	3 XM8	8	50	4

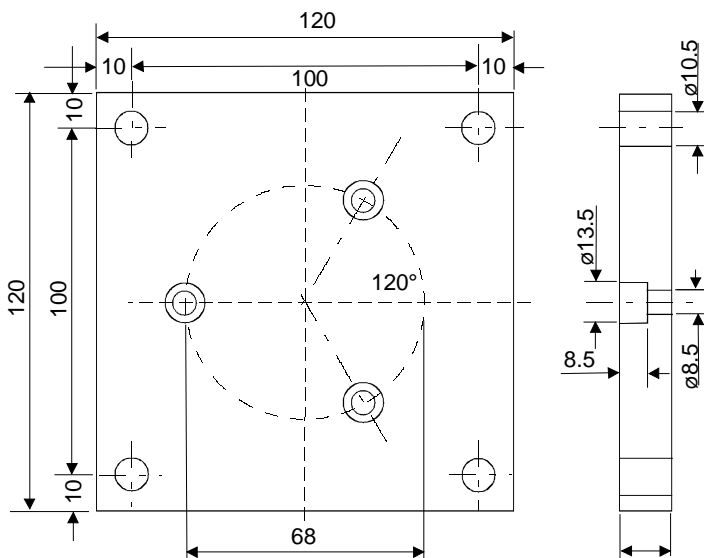
*X = SAME FOR ALL CAPACITIES FROM 250kg to 10t

A top load head can also be supplied for C2S -82 250kg to 10t:

CODE	LOADS	øD	H	øA	B
TIC22	250kg - 10t	57	24	23	9



PB120-82 BASEPLATE



The use of top Load Heads and mounting plates as shown are recommended for the elimination of the effects of side forces and for smaller non angular forces from "non level" legs and so ! For bigger side load will 2-4mm space between top load head and legs/mountings be recommended, or use CBS-SM82 where bigger forces are involved ! Please ask for further NTT informations on this !!



CBS-CM82 Silo Mount

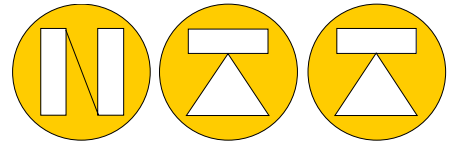


Nordic Transducer

Als Odde, DK-9560 Hadsund Denmark
 Ph.: +45 98581444, Fax.: +45 98581866
 E-mail: ntt@ntt.dk WEB: www.ntt.dk



C2S-AMP Amplified Load cell



NORDIC TRANSDUCER

INDUSTRIAL STANDARD OUTPUT

4-20mA - 0..5Volt or 0..10Volt 3wire system

The whole range of **C2S** load cells can now also be supplied with internal amplifier for usage at single cells jobs say for testing jobs and the like, for direct connection to PLC



LOAD CELL STANDARD CABLE 2mV/V

Exct.+ / INPUT+ RED
Exct. - / INPUT- BLACK
Signal + / OUTPUT+ WHITE
Signal - / OUTPUT- YELLOW
SHIELD: Not connected to load cell

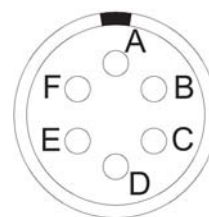
The accuracy for the AMP model is:
+/- 0.03% Non Linearity,
+/- 0.01% Non Repeatability
Calibration tolerance is +/-0.1%

Nominal power supply is 12-24Vdc max. 28 Volt

Max. absorption is 30mA (without load applied)

A 5 point test report can also be supplied as a option at order time.

C2S can now also be supplied with connector. M12 or MIL Connector



M12 Connector for 2mV/V signal

1: Exct. / INPUT +
3: Exct. - / INPUT -
2: Signal + / OUTPUT +
4: Signal - / OUTPUT-
SHIELD: Not connected to load cell

AMP Mill connector for 4-20mA output:

Power supply 12-24VDC = A (RED)
0V/ -Signal = B (BLACK)
Signal Output + = D (WHITE)
Earth / shield = F connected to Body

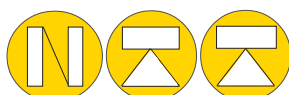
AMP M12 Connector for mA or Volt signal

1: Power +
3: Power - / signal -
2:
4: Signal + / OUTPUT +
SHIELD: Not connected to load cell

Picture seen from soldering side

AMP

If supplied with Connector & mounted with cable, the cable length is 5m as standard, other lengths as option.



Nordic Transducer

Als Odde, DK-9560 Hadsund Denmark

tlf. +45 98581444, Fax.: +45 98581866

E-mail: ntt@ntt.dk WEB: <http://www.ntt.dk>

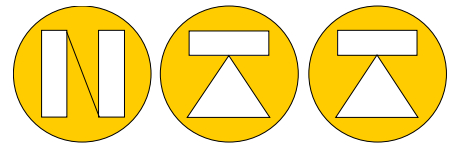


CBS-SM82 silo mount for 100kg to 10 ton C2S-82 & CBS-82

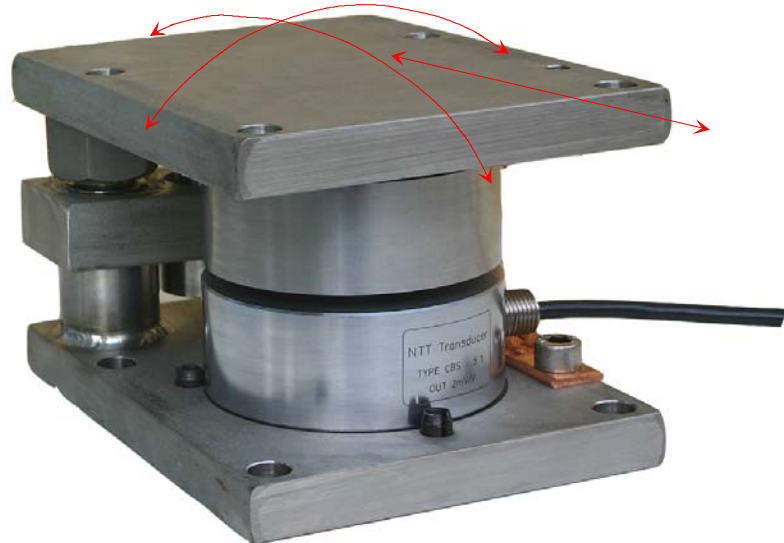
This **CBS-SM82** weighing unit is constructed throughout in (AISI 304) stainless steel, and design to facilitate the installation of weighing and batching systems, in silos, bins and platform scales where 100% control are wanted over mechanical connection to the load cells.

This weighing unit is equipped with **Automatic Load Alignment** and **Transverse Shift Compensation** system to ensure **Excellent Measurement Performance** even in case of settling, thermal expansion, positioning error and structural deformations.

To function correct the mount must be fastened both into the floor and to the silo legs

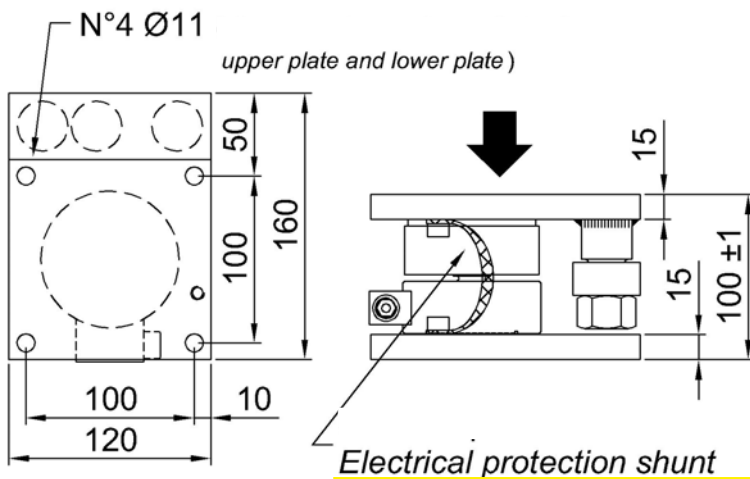


NORDIC TRANSDUCER



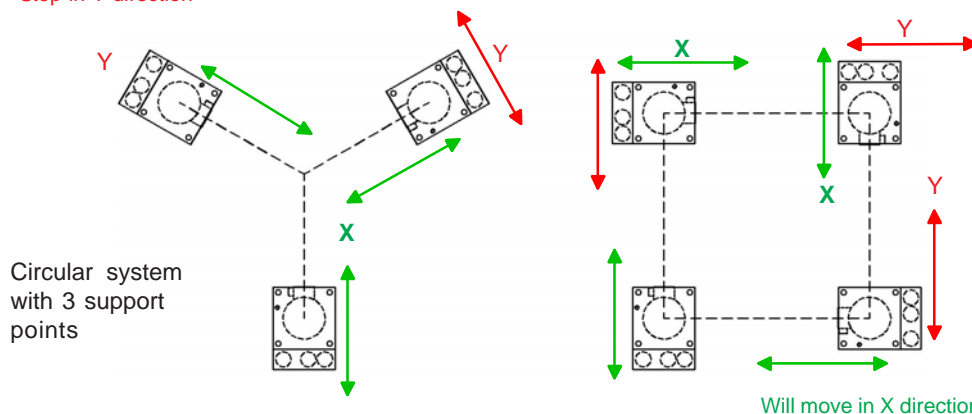
CBS-SM82 can be used both for C2S-82 & CBS-82 load cells

Same dimensions for all capacities from 250kg til 10t



Same measurements for all capacities from 100kg to 10t

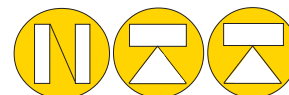
Stop in Y direction



Square system with 4 support points

Material: Stainless steel	AISI 304
Weight (with load cells)	8.0kg
Max. lateral shift (X axis)	+/-10mm
Max. Inclination	+/-5°
Anti-tipping system	yes
Retainer tie-rod	yes
Automatic load alignment	yes
Transverse shift compensation	yes

All specifications subject to change without notice



Nordic Transducer

Als Odde, DK-9560 Hadsund Denmark

Tel.: +45 98581444, Fax.: +45 98581866

E-mail: ntt@ntt.dk WEB: www.ntt.dk