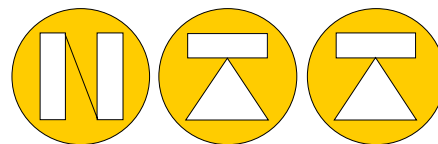


Bending Beam Load cell

TYPE: BBS-D4

10kg, 20kg, 50kg, 100kg & 200kg



NORDIC TRANSDUCER

LOW COST!



BBS-D4 is a fully welded stainless steel bending beam load cell. This products is suitable for all type low capacity weighing and process machinery within the food and other industry where a lot of water is present.

The very high accuracy of this cell makes it very suitable for also for high accuracy weighing jobs.

BBS-D4 SPECIFICATIONS

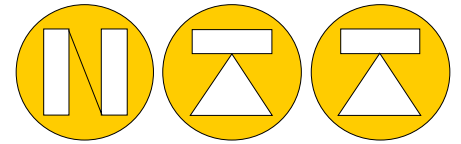
NOMINAL LOAD in kg	10,20,50,100 & 200kg		
MINIMUM RANGE	30%	a) minimum load	0%
COMBINED ERROR	< +/- 0.04% F.S.	b) service load	100%
NONREPEATABILITY	< +/- 0.01% F.S.	c) max. permissible load	120%
ZERO DRIFT 20 MIN	< +/- 0.03%	d) breaking load	>300%
TEMPERATURE EFFECT 10°C F.S.		e) max. side load	80%
on zero	< +/- 0.02 %		
on span	< +/- 0.02 %	PROTECTION CLASS	IP67
NOMINAL SENSITIVITY +/-0.01%	2mV/Volt	NOMINAL TEMP. RANGE	- 10/+40 °C
INPUT RESISTANCE	385 +/-10 Ohm	SERVICE TEMP. RANGE	-20/+65 °C
OUTPUT RESISTANCE	350 +/-3 Ohm	CELL MATERIAL	Stainless steel
ZERO BALANCE	1.0%		
SUPPLY VOLTAGE DC/AC	5V - 15 Volt	CABLE	Ø5 x 5 meter

All specifications subject to change without notice

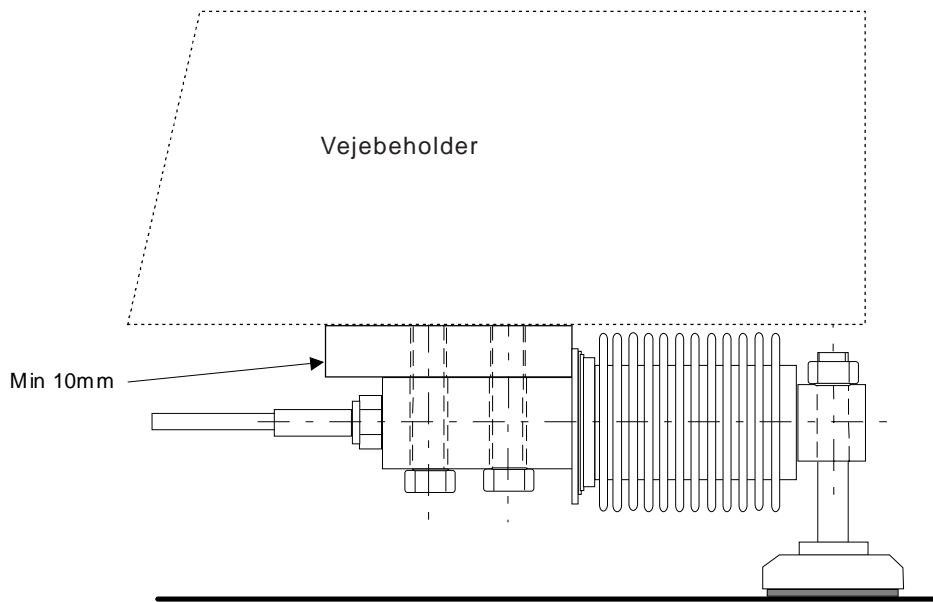


New series of Analogue and digital convertes for load cells, with communication as:
Profibus, Can Bus, RS485 Modbus, Ethernet

**MONTERING AF BENDING BEAM VEJECELLER MED TRYK FOD
FOR MAX. 200KG Celler**

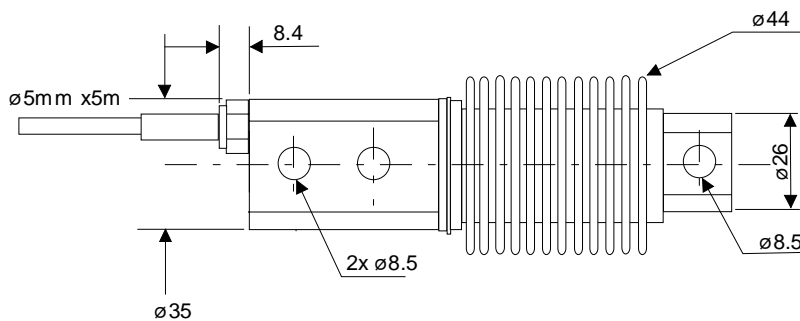
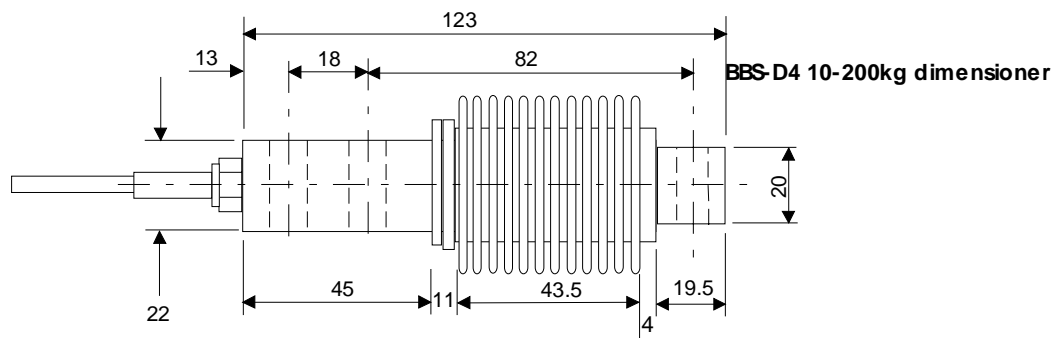
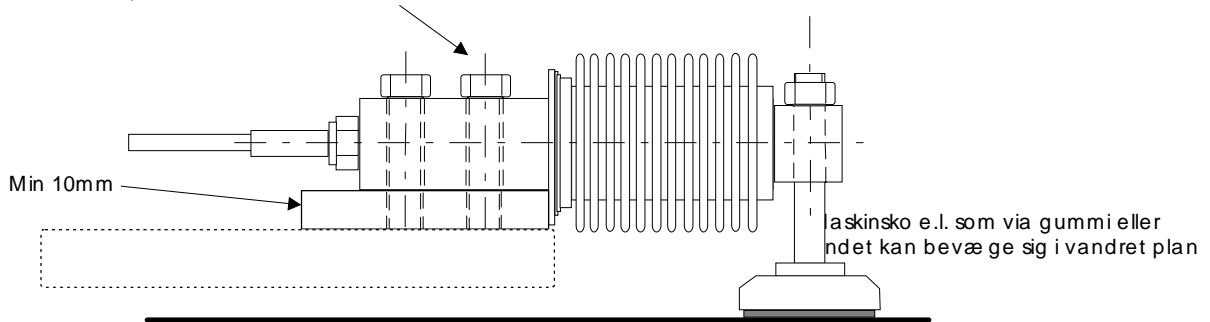


NORDIC TRANSDUCER



Alle anlægsgflader for vejecellen skal være plane og lige
også i forhold til hinanden skal de være i vatter.

Bolte = M8 spændes med max. 23Nm



Cable color code

- Red + Excitation
- Black - Excitation
- Green + signal
- White - signal