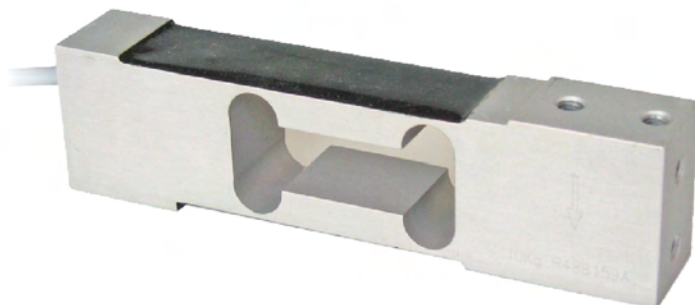
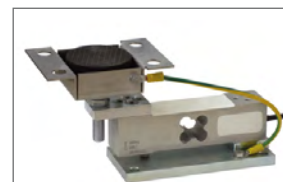




Capacity from 10 kg to 100 kg



MOUNTING KIT



T8AZL

It can be used for systems with at least 3 load cells connected in parallel

- ALUMINUM ALLOY
- COMBINED ERROR ≤ ±0.02% (0.017% C4)
- PROTECTION CLASS IP65

CAPACITY	kg	ACCURACY CLASS							PLATFORM (mm)	NET WEIGHT (kg)	CODE
		C3	C4								
10		•	–	•	•	•	•	•	400 x 400	0.4	AZL10
15		•	•	•	•	•	•	•	400 x 400	0.4	AZL15
20		•	•	•	•	•	•	•	400 x 400	0.4	AZL20
30		•	•	•	•	•	•	•	400 x 400	0.4	AZL30
50		•	•	•	•	•	•	•	400 x 400	0.4	AZL50
100		•	–	•	•	•	•	•	400 x 400	0.4	AZL100

ON REQUEST

### CERTIFICATIONS



OIML R60 C3



Complies with the Eurasian Custom Union standards

CERTIFICATIONS ON REQUEST



ATEX II 1GD (zone 0-1-2-20-21-22)



IECEx (zone 0-1-2-20-21-22)



OIML R60 C4



Complies with the Eurasian Custom Union standards for use in potentially explosive atmospheres

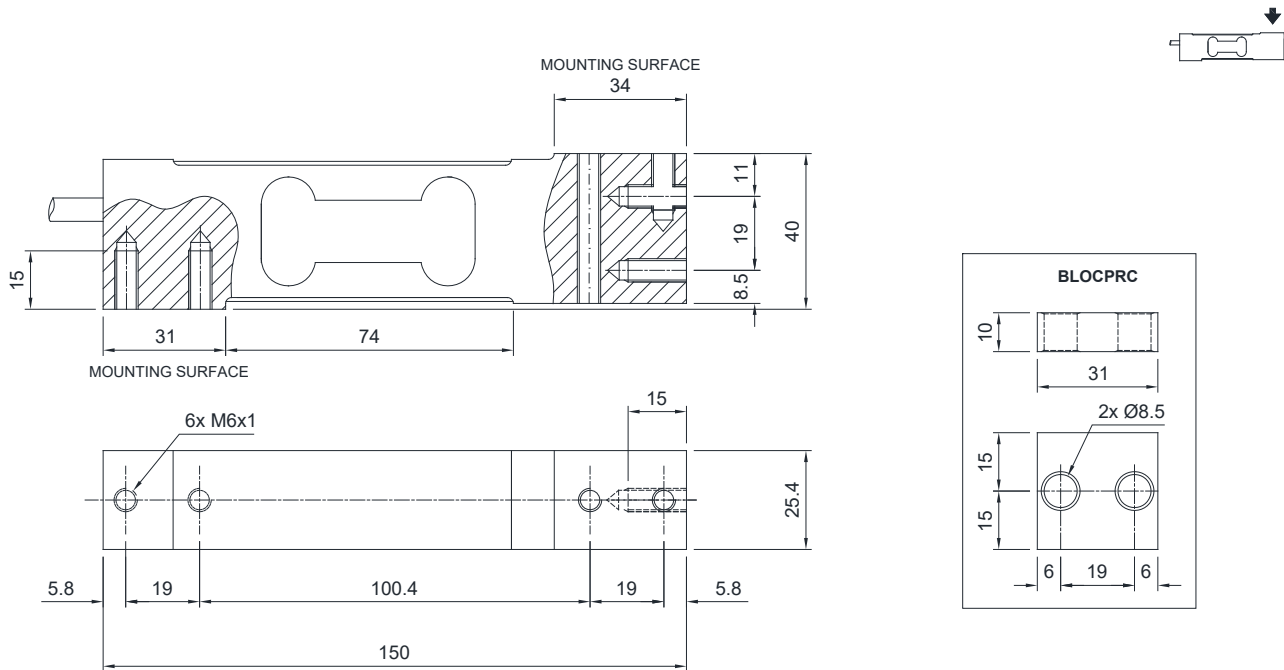


NTEP - compliant to the metrological standards of United States and Canada

### COMPLEMENTARY ACCESSORIES

	DESCRIPTION	CODE
	Stainless steel drawn block.	BLOCPRC

### DIMENSIONS (mm)

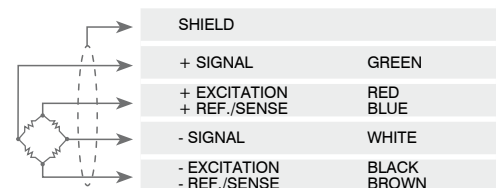


### TECHNICAL FEATURES

Material	Aluminum alloy	
OIML R60 Accuracy class • Verification intervals	C3 • 3000	C4 • 4000
Nominal load (E max)	10 - 15 - 20 - 30 - 50 - 100 kg	15 - 20 - 30 - 50 kg
Minimum verification interval (V min)	E max / 12000	E max / 15000
Combined error	≤ ±0.02%	≤ ±0.017%
Protection class	IP65	
Rated output	2 mV/V ±10%	Input resistance 409 Ω ±6
Temperature effect on zero	0.0017% °C	Output resistance 350 Ω ±3
Temperature effect on span	0.0014% °C	Zero balance ≤ ±1%
Compensated temperature range	-10 °C / +40 °C	Insulation resistance ≥5000 MΩ
Operating temperature range	-35 °C / +65 °C	Safe overload (% of full scale) 150%
Creep at nominal load in 30 minutes	0.02%	Ultimate overload (% of full scale) 300%
Max supply voltage without damage	18 V	Deflection at nominal load 0.5 mm

### ELECTRICAL CONNECTIONS

Cable length	6 m
Cable diameter	5 mm
Cores	6 x 0.20 mm <sup>2</sup>



The Company reserves the right to make changes to the technical data, drawings and images without notice.