



Capacity from 10 kg to 50 kg

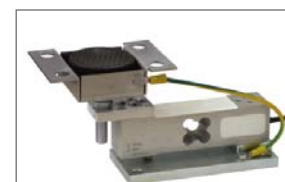


Capacity from 100 kg to 500 kg



- 17-4 PH STAINLESS STEEL
- COMBINED ERROR $\leq \pm 0.02\%$ (0.017% C4)
- PROTECTION CLASS IP68

MOUNTING KIT



T8AZL capacity 50 kg
It can be used for systems with at least 3 load cells connected in parallel

CAPACITY	kg	ACCURACY CLASS							PLATFORM (mm)	NET WEIGHT (kg)	CODE
		C3	C4								
10		•	•	•	•	–	•	•	400 x 400	0.9	AZLI10
20		•	•	•	•	•	•	•	400 x 400	0.9	AZLI20
50		•	•	•	•	•	•	•	400 x 400	1	AZLI50
100		•	–	•	•	•	•	•	800 x 800	2.7	AZLI100
200		•	–	•	•	•	•	•	800 x 800	2.7	AZLI200
300		•	–	•	•	•	•	•	800 x 800	2.8	AZLI300
500		•	–	•	•	•	•	•	800 x 800	2.8	AZLI500

ON REQUEST

CERTIFICATIONS

Replace Brecknell BM6G



OIML R60 C3



Complies with the Eurasian Custom Union standards

CERTIFICATIONS ON REQUEST



Declaration of conformity + IP69K marking protection rating
Water protection in case of high-pressure or steam jet cleaning (test: pressurized water is sprayed from a distance of max 150 mm)
Water pressure: 100 bar; temperature: 80 °C; test duration: 250 seconds (reference standard: DIN 40050-9)



ATEX II 1GD (zone 0-1-2-20-21-22)



IECEX (zone 0-1-2-20-21-22)



OIML R60 C4

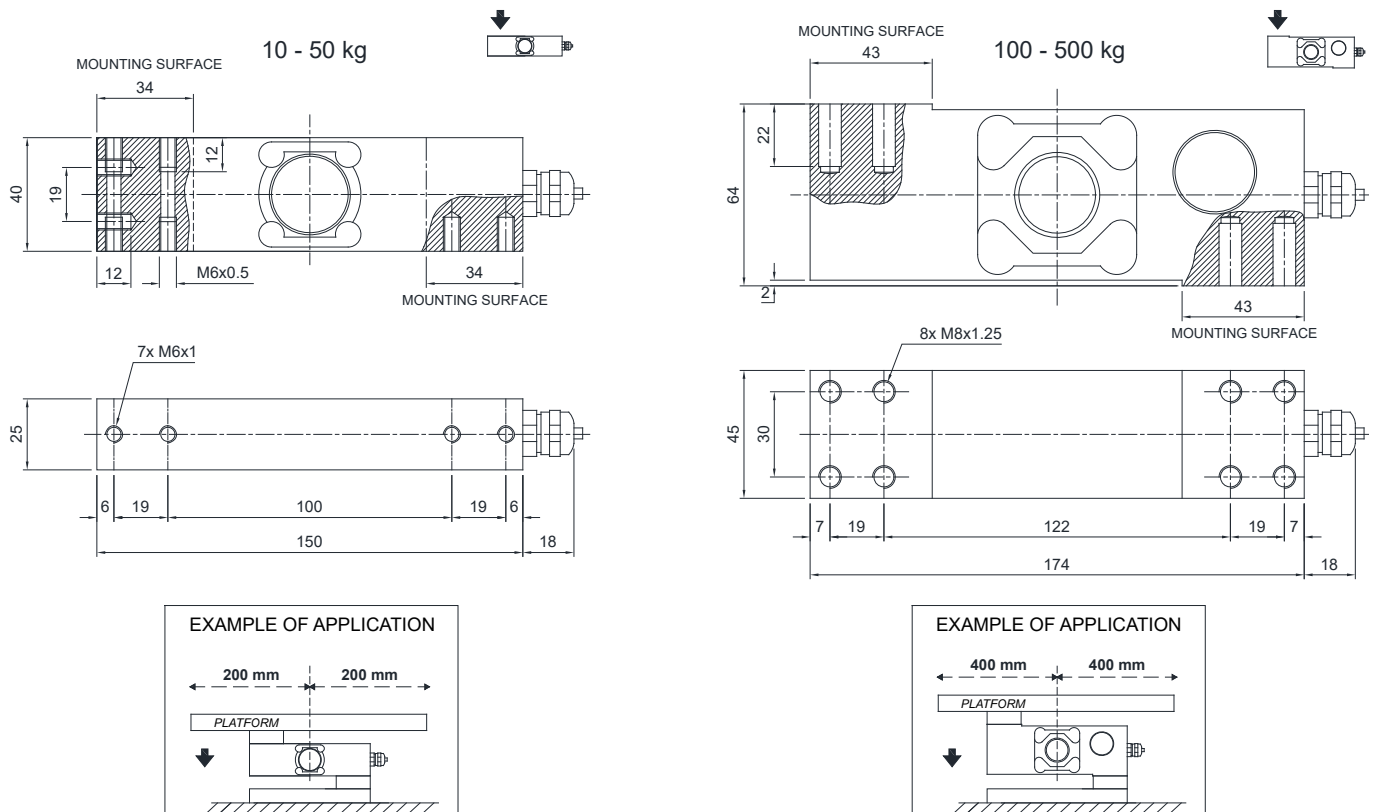


Complies with the Eurasian Custom Union standards for use in potentially explosive atmospheres



NTEP - compliant to the metrological standards of United States and Canada

DIMENSIONS (mm)



TECHNICAL FEATURES

Material	17-4 PH Stainless steel	
OIML R60 Accuracy class • Verification intervals	C3 • 3000	C4 • 4000
Nominal load (E max)	10 - 20 - 50 - 100 - 200 - 300 - 500 kg	10 - 20 - 50 kg
Minimum verification interval (V min)	E max / 10000	E max / 40000
Combined error	≤ ±0.02%	≤ ±0.017%
Protection class	IP68	
Rated output	2 mV/V ±10%	Input resistance 350 Ω ±3.5
Temperature effect on zero	0.0017% °C	Output resistance 350 Ω ±3.5
Temperature effect on span	0.0014% °C	Zero balance ±2%
Compensated temperature range	-10 °C / +40 °C	Insulation resistance ≥5000 MΩ
Operating temperature range	-35 °C / +65 °C	Safe overload (% of full scale) 150%
Creep at nominal load in 30 minutes	0.02%	Ultimate overload (% of full scale) 300%
Max supply voltage without damage	18 V	Deflection at nominal load 0.5 mm

ELECTRICAL CONNECTIONS Replace Brecknell BM6G

Cable length	3 m
Cable diameter	5 mm
Cores	4/6 x 0.20 mm ²

