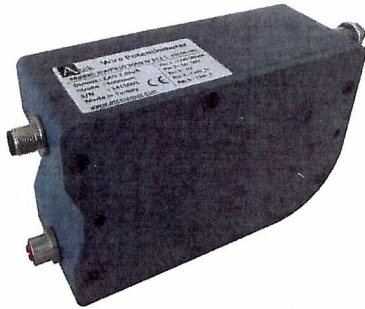


# WIRE POTENTIOMETERS

“Outdoors high protection , stainless steel wire”

## AWP 810



### AWP 810 Series Wire Potentiometers

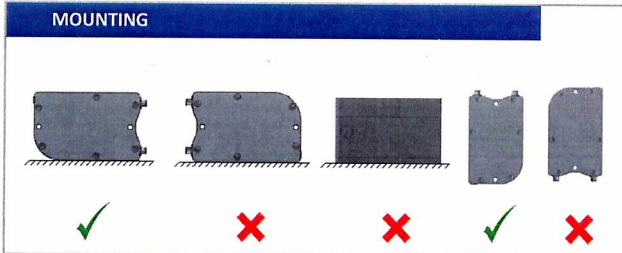
- Measurement length 2000 mm to 5000 mm
- Maximum 42 VDC Power Supply
- Small size
- High strength stainless steel wire
- 0,5 m/s maximum speed
- IP67 Protection class
- Shock/Vibration resistant
- 3 meters cable
- Aluminum anodized body

AWP810 series wire potentiometer is converted the linear movement to potentiometric output. AWP810 is easily used in outdoor environments with IP67 or optional protection class IP68. Optionally, another feature of this model, through to double potentiometer inside, if one of products faults it can works with one potentiometer. There are different options in models up to 5000mm and specially mainly used top of car equipment systems.

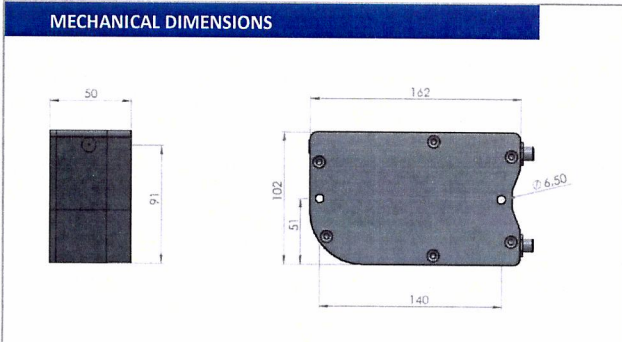
### TECHNICAL SPECIFICATIONS

|                              |   |
|------------------------------|---|
| <b>Power Supply</b>          | Max. 42 VDC   |
| <b>Stroke Length</b>         | 2000 , 3000 , 4000 , 5000 mm<br>(Please ask us for other) |
| <b>Maximum Speed</b>         | 0,5 m/s   |
| <b>Resistance</b>            | 5K $\Omega$ or optional 10K $\Omega$                      |
| <b>Output</b>                | Potentiometric  |
| <b>Linearity</b>             | $\pm 0,25$ % FS   |
| <b>Protection Class</b>      | IP67  |
| <b>Process Temperature</b>   | - 40 to +85 °C  |
| <b>Relative Humidity</b>     | %10 to %90  |
| <b>Weight</b>                | < 400 grams   |
| <b>Electrical Connection</b> | 3 meters cable (Please ask us for other)                  |

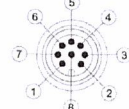
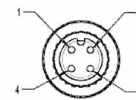
### MOUNTING



### MECHANICAL DIMENSIONS



| Signal                | M12 / 4 pin Socket | M12 / 8 pin Socket | Cable  |
|-----------------------|--------------------|--------------------|--------|
| Resistance / + Supply | Pin 1              | Pin 1              | Red    |
| COMMON                | Pin 2              | Pin 2              | Yellow |
| Resistance / - Supply | Pin 3              | Pin 3              | Black  |
| NC                    | Pin 4              | Pin 4              |        |
| Resistance / + Supply |                    | Pin 5              | Blue   |
| COMMON                |                    | Pin 6              | Gray   |
| Resistance / - Supply |                    | Pin 7              | White  |
| NC                    |                    | Pin 8              |        |



### PRODUCT CODING

#### Model

AWP 810

**AWP810**

**XXX**

#### Stroke Length

2000 : 2000 mm  
3000 : 3000 mm  
4000 : 4000 mm  
5000 : 5000 mm

#### Resistance

5K : 5K $\Omega$   
5K / 5 K : 5K $\Omega$  / 5K $\Omega$   
(Please ask us for other)

**5K**

#### Output Signals

No Code : Potentiometric  
V : 0-10 VDC Analog Voltage  
A : 4-20 mA Analog Current  
C : Can Open (CIA DS406)

**3M**

#### Cable Length

S12 : M12 Socket  
3M : 3 meters (standard)  
5M : 5 meters  
10M : 10 meters