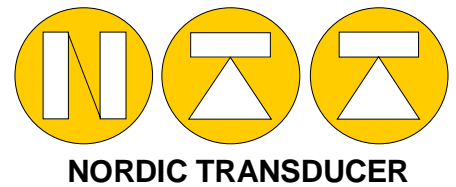


Compression Load Cell



Type AC-3A/Antiv 15 - 40ton 50 -100 ton

Low profile Compression load cell with swivel and self-leveling top plate
Complies with 4000 divisions CE OIML-R60
Fully welded. Protected against humidity IP-68 (DIN 40050)
Manufactured complete in Stainless steel
With gas dischargers to protect against atmospheric discharges
Bell bearing support not necessary



AC-3A SPECIFICATIONS

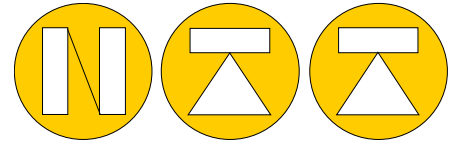
NOMINAL LOAD	15 - 20 - 25 - 30 - 35 - 40 - 50 - 75 - 100* ton		
Produced according to:	OIML R60 Class C3 / C4		
Combined Error	< +/- 0.020%		
Non-Repeatability	< +/- 0.010%		
Zero Drift 30min.	< +/- 0.015%		
TEMPERATURE EFFECT 10°C			
on zero	< +/- 0.010 %		
on span	< +/- 0.010 %		
V_{min}	E _{max} /10000		
NOMINAL SENSITIVITY +/-0.1%	2mV/Volt	a) minimum load	0%
INPUT RESISTANCE	800 Ohm +/-3 Ohm	b) service load	120%
OUTPUT RESISTANCE	700 Ohm +/- 3 Ohm	c) max. permissible load	150%
ZERO BALANCE	0.5%	d) breaking load	>300%
SUPPLY VOLTAGE N.10V	5 - 15 Volt	e) max. side load	Se next page
Wiring:		f) max. dynamic load	50%
Excitation+	Red	DISPLACEMENT N.LOAD	0.3mm
Sense +	Yellow	TEMP. RANGE OIML R60	- 10/+40 °C
Excitation-	Black	PROTECTION CLASS	IP68
Sense -	Blue	CELL MATERIAL	Stainless Steel
Output+	Green	CABLE Ø 5.5mm length	15 meter
Output-	White		
	<i>Sense wires optional !</i>		

Nordic Transducer

All specifications subject to change without notice

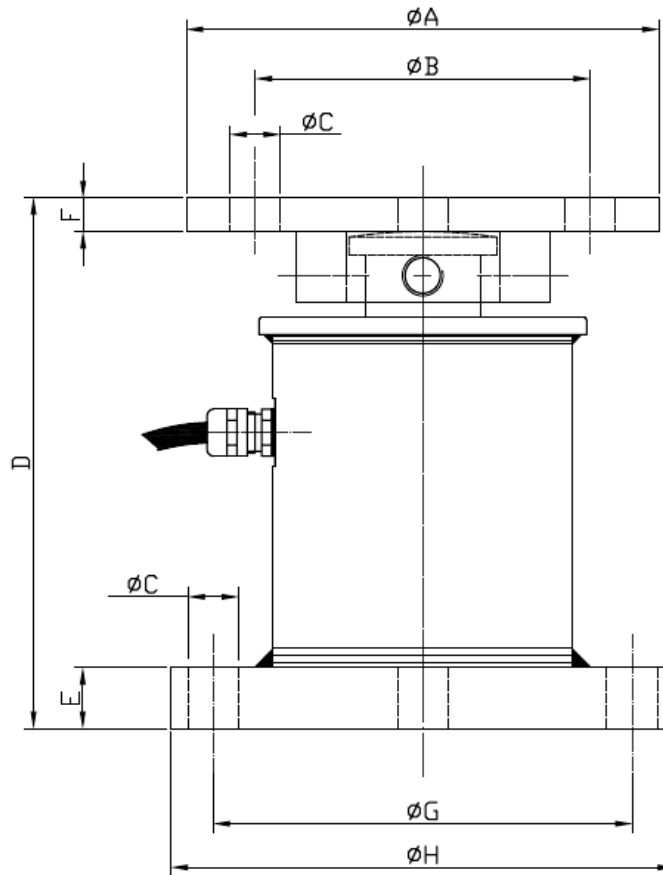
**CE test certificate only available*

Type AC-3A/Antiv

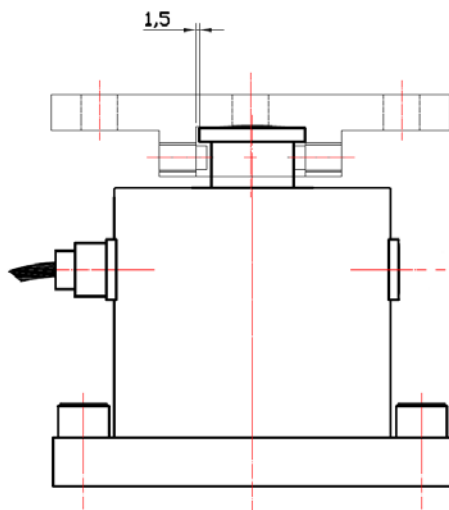


NORDIC TRANSDUCER

Dimensions: mm



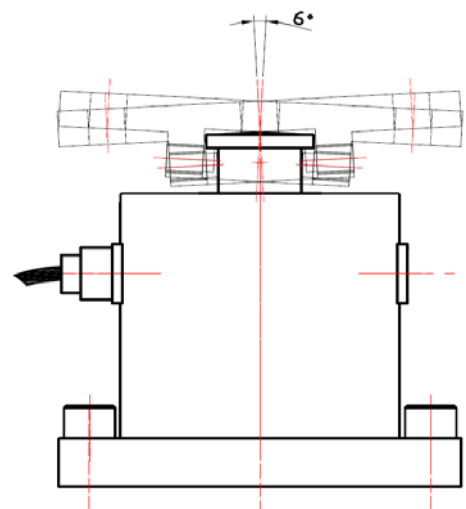
Capacity ton	A	B	C	D	E	F	G	H
15-40 t	Ø150	Ø85.3	Ø17.5x4	130	14	14	Ø85.3	Ø150
50-100 t	Ø180	Ø150	Ø17.5x6	180	17	27	Ø190	Ø220



10-40t

Maximum lifting force
Displacement vertical maximum
Maximum horizontal load
Displacement horizontal maximum

39kN
2mm
21kN
3mm



50-100t

73kN
2mm
32kN
3mm