

NORDIC TRANSDUCER

Compression Load Cell

Type AC-3A (Former AC-1A)

15 - 50ton

75 -150 ton



Complies with 4000 divisions CE OIML-R60
Fully welded. Protected against humidity IP-68 (DIN 40050)
Manufactured complete in Stainless steel

AC-3A/ANTIV-I with top flange for silo weighing !!

Low profile Compression load cell with swivel and self-leveling top plate



AC-3A SPECIFICATIONS

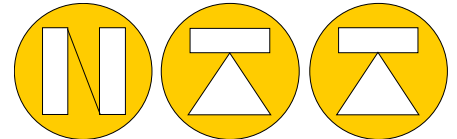
NOMINAL LOAD	15 - 20 - 25 - 30 - 35 - 40 - 50 - 75 - 100* 150* & 200* ton		
Produced according to:	OIML R60 Class C3 / C4		
Combined Error	< +/- 0.020%		
Non-Repeatability	< +/- 0.010%		
Zero Drift 30min.	< +/- 0.015%		
TEMPERATUR EFFECT 10°C			
on zero	< +/- 0.010 %		
on span	< +/- 0.010 %		
Vmin	Emax /10000		
NOMINAL SENSITIVITY+/-0.1%	2mV/Volt	a) minimum load	0%
INPUT RESISTANCE	800 Ohm +/-3 Ohm	b) service load	120%
OUTPUT RESISTANCE	700 Ohm +/- 3 Ohm	c) max. permissible load	150%
ZERO BALANCE	0.5%	d) breaking load	>300%
SUPPLY VOLTAGE N.10V	5 - 15 Volt	e) max. side load	12%
Wiring: Excitation+ Red Sense + Yellow Excitation- Black Sense - Blue Output+ Green Output- White		f) max. dynamic load	50%
		DISPLACEMENT N.LOAD	0.3mm
		TEMP. RANGE OIML R60	- 10/+40 °C
		PROTECTION CLASS	IP68
		CELL MATERIAL	Stainless Steel
		CABLE Ø 5.5mm length	15 meter

Nordic Transducer

All specifications subject to change without notice

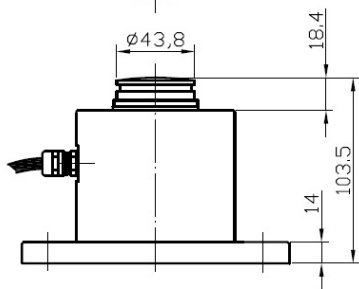
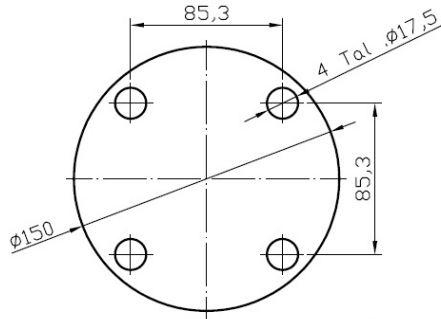
*CE test certificate only available

Type AC-1A

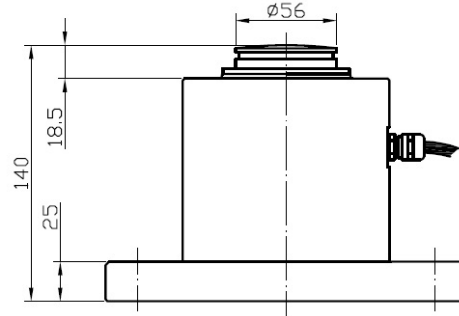
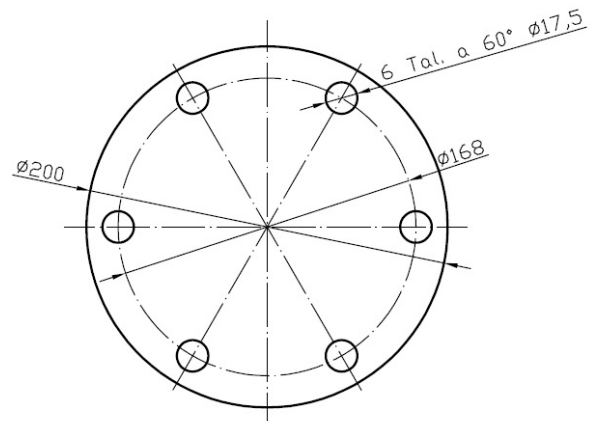


NORDIC TRANSDUCER

Dimensions AC-3A in mm (former AC-1A)

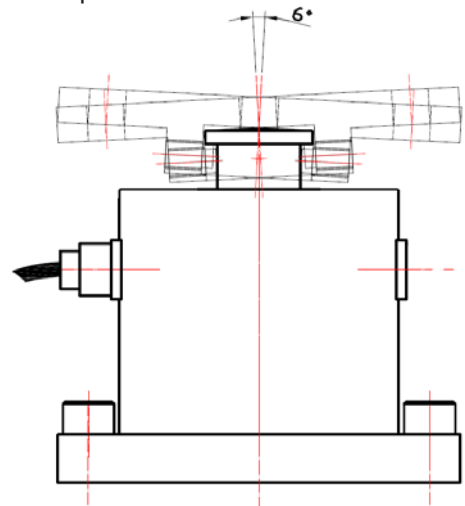
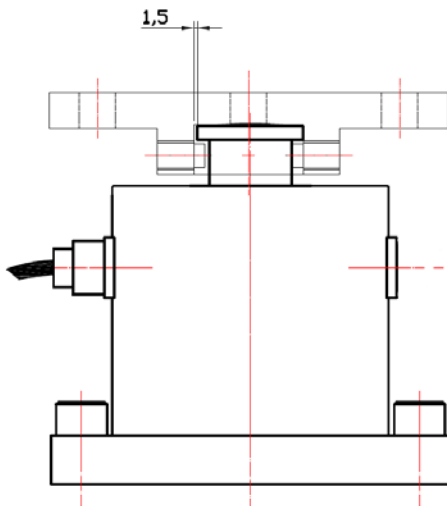


AC-3A 15-50t



AC-3A 75-150t

Mounting fittings can be supplied as option



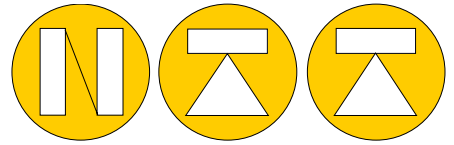
15-50t

75 - 150t

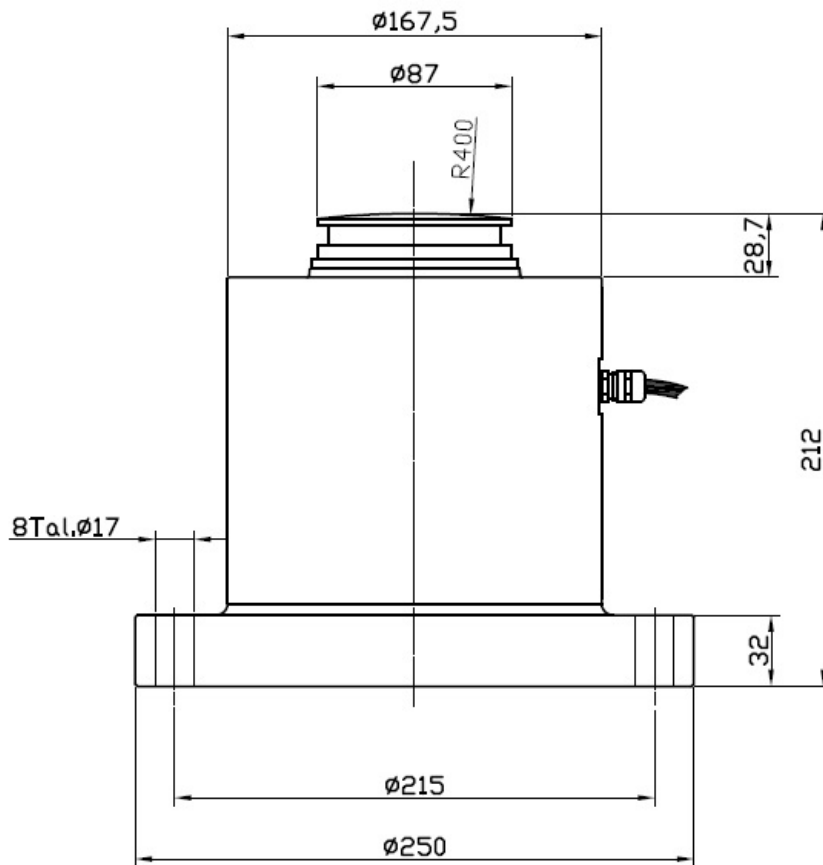
Displacement vertical maximum
Maximum horizontal load
Displacement horizontal maximum

2mm
21kN
3mm

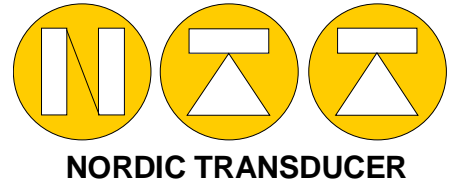
2mm
32kN
3mm



NORDIC TRANSDUCER



AC-3A 200 ton



Type AC-3A/ANTIV-I

15 - 50ton
75 -150 ton

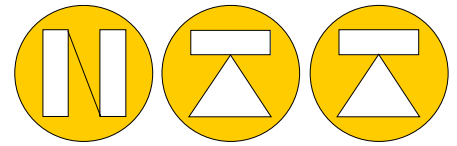
Compression Load Cell with build in Top flange for silos with limited horizontal movements.

At larger movements and larger side forces please look at ANTIV-I/AC-2A



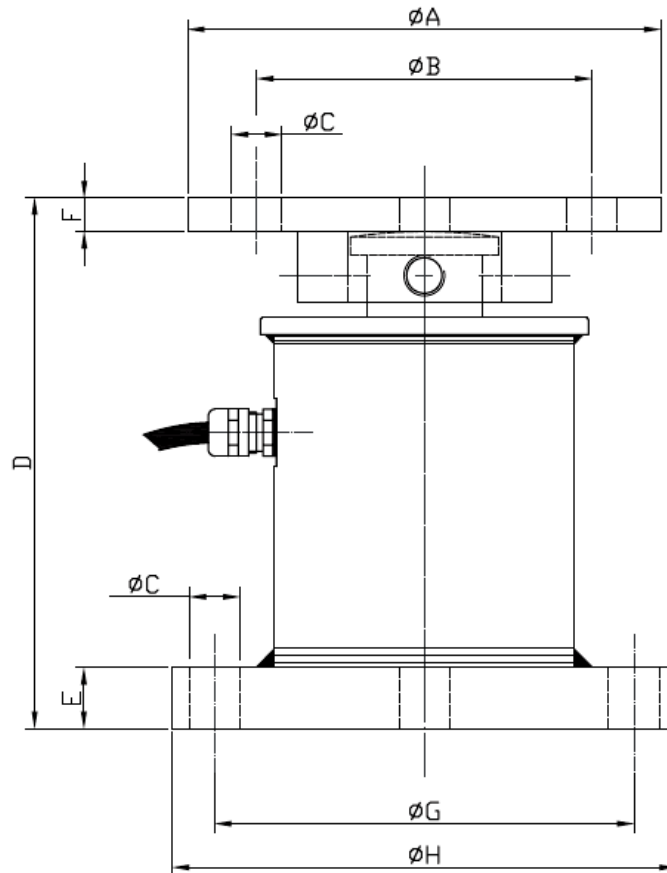


Type AC-3A/Antiv-I

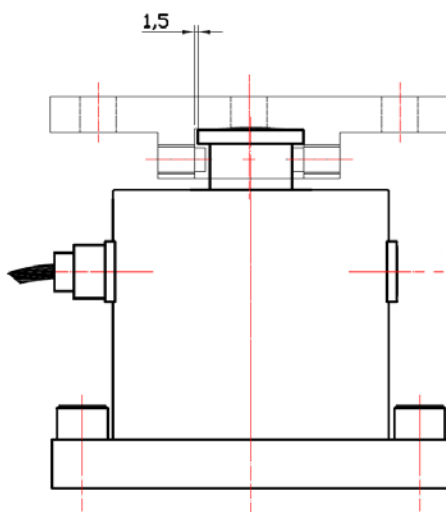


NORDIC TRANSDUCER

Dimensions: mm



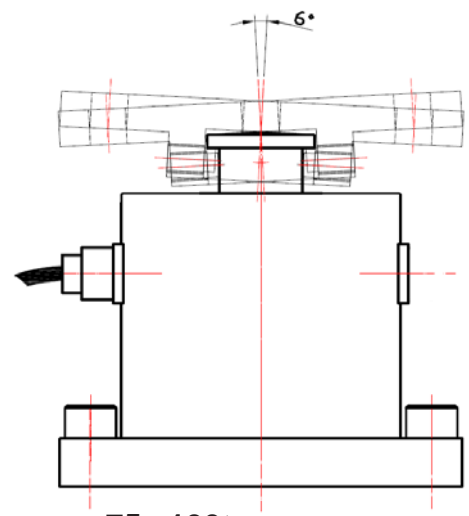
Capacity ton	A	B	C	D	E	F	G	H
15-50 t	$\phi 150$	$\phi 85.3$	$\phi 17.5 \times 4$	130	14	14	$\phi 85.3$	$\phi 150$
75-100 t	$\phi 180$	$\phi 150$	$\phi 17.5 \times 6$	180	17	27	$\phi 190$	$\phi 220$



15-50t

Maximum lifting force
 Displacement vertical maximum
 Maximum horizontal load
 Displacement horizontal maximum

39kN
 2mm
 21kN
 3mm



75 - 100t

73kN
 2mm
 32kN
 3mm