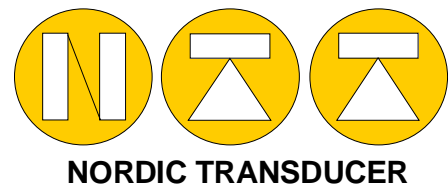


# TYPE: 9223-D3 beams capacity from 250kg to 2.0t



The **9223** is an environmentally sealed shear beam load cell which is excellent for use in floor scales, u-pallet scales, batching plants and other in/outdoor weighing applications. Environmental protection are provided by special waterproof potting and metal covers and corrosion resistant stainless steel, where the 1 & 2 ton capacities also are with 100 % welded protection covers.

Outputs are made on all cells within an accuracy of 0.01mV.



9223-D3-250 made as a bending beam cell



9223-D3-500kg - 2.0t made as a shear beam cell



**9223-D3 beams is supplied in capacities 250kg & 500kg 9223W-D3 in 1 & 2.0ton capacity. Also special silo mounts are available for this type of cell up to 2.0t capacity.**

New series of Analogue and digital convertes for load cells, with communication as: Profibus, Can Bus, RS485 Modbus, Ethernet

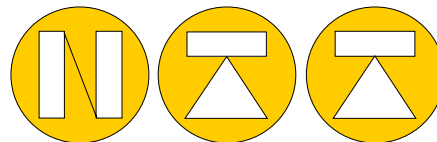
## 9223-D3 SPECIFICATIONS

NOMINAL LOAD	250 kg, 500kg, 1.0t, 2.0t	a) minimum load	0%
MINIMUM RANGE	20%	b) service load	100%
COMBINED ERROR	< +/- 0.06%	c) max. permissible load	150%
NON REPEATABILITY	< +/- 0.02%	d) breaking load	>300%
ZERO DRIFT 30 MIN	< +/- 0.03%	e) max. side load	100%
TEMPERATUR EFFECT 10°C		DISPLACEMENT N. LOAD	0.4-mm
on zero	< +/- 0.03 %		
on span	< +/- 0.02 %	NOMINAL TEMP. RANGE	- 10/+40 °C
NOMINAL SENSITIVITY +/-0.01	3mV/Volt	SERVICE TEMP. RANGE	-20/+60 °C
INPUT RESISTANCE	385 Ohm	PROTECTION CLASS	IP65
OUTPUT RESISTANCE	350 Ohm	PROTECTION	Potted & metal shield
ZERO BALANCE	1.0%	CELL MATERIAL	Stainless steel
SUPPLY VOLTAGE	10V - 15 Volt	CABLE LENGTH	Ø5.5mm x 5m

All specifications subject to change without notice

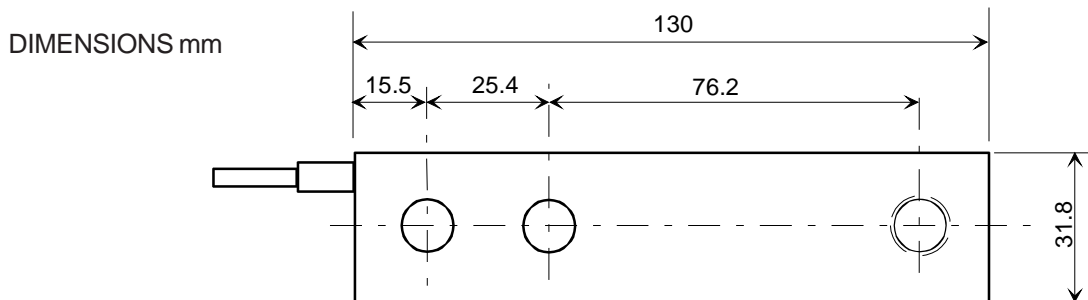
9223 1 & 2t will be supplied as 9223W where the protection plates covering the gauge area are laser welded.

# TYPE: 9223-D3 beams from 250kg to 2.0t



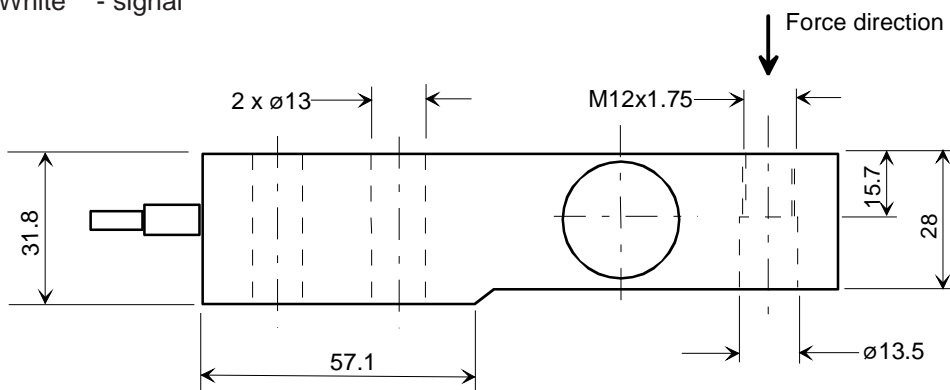
**NORDIC TRANSDUCER**

TOP View



### Cable color code

Red + Excitation      Green + signal  
Black - Excitation      White - signal



Type LHG005 stainless steel foot. Ø62mm max. 1500kg



9223W stainless steel welded in 1ton & 2ton capacity



A complete range of instruments at very attractive prices can also be supplied from NTT.