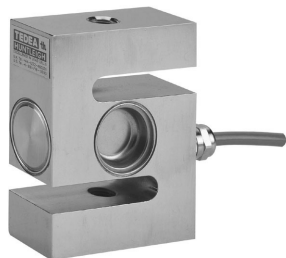


## Stainless Steel 'S' Type Load Cell



Model 620 is an advanced concept in providing the weighing industry with the ultimate protection necessary for today's hostile weighing environment.

Its all welded sealing combined with high accuracy, make this load cell ideally suited for lever conversions, hopper/tanks and vibratory feeders, general process weighing and force measurement applications. It is approved by OIML R60, up to 3000 divisions.

### FEATURES

- Capacities 500-5000kg
- Stainless steel construction
- Hermetically sealed to IP68
- For use in tension and compression
- 6 wire (sense) circuit
- OIML R60 and NTEP approved
- Hazardous area approved to EEx ia IIC T6 and FM

Hermetically sealed against moisture, the construction of the model 620 combined with polyurethane dual shielded cable enables the load cell to function in harsh environments whilst maintaining its operating specifications.

The two additional sense wires feed back the voltage reaching the load cell. Complete compensation of changes in lead resistance due to temperature change and/or cable extension is achieved by feeding this voltage into the appropriate electronics.

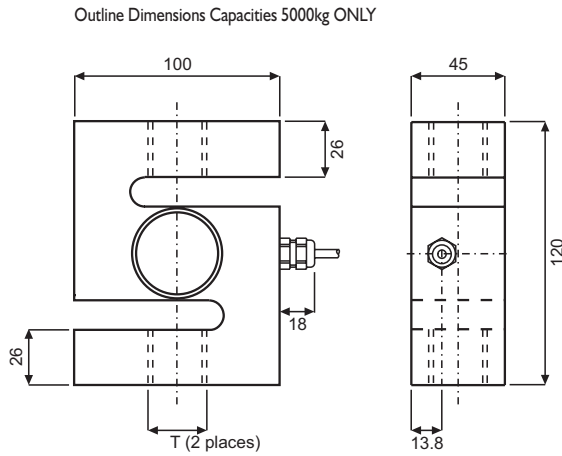
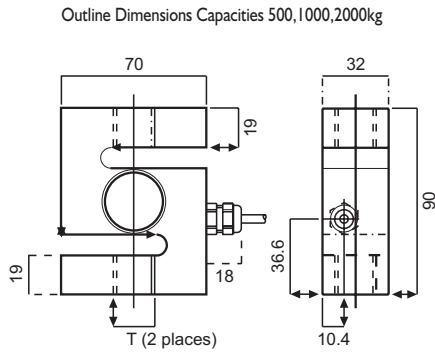
SPECIFICATIONS				
GRADE	Z	E	C3	UNITS
Rated Capacities**	500, 1000, 2000, 5000			kg
Rated Output	2.2 ± 10%	2.0 ± 0.1%	2.0 ± 0.1%	mV/V
Total Error*	0.075	0.050	0.20	± % of applied load
Zero Return after 30 mins	0.065	0.050	0.017	± % of applied load
Temperature Effect: On Output On Zero	0.0070	0.0040	0.0012	± % of applied load/°C
	0.0150	0.0070	0.0023	± % of rated output/°C
Zero Balance	5.0	3.0	2.0	± % of rated output
Temperature Range: Operating Compensated	- 30 to + 80			°C
	- 10 to + 40			°C
Safe Overload	150			% of rated capacity
Ultimate Overload	300			% of rated capacity
Excitation: Recommended Maximum	10			Volts AC or DC
	15			Volts AC or DC
Input Impedance	400 ± 20			Ohms
Output Impedance	350 ± 3			Ohms
Insulation Impedance	> 1000			MegaOhms
Deflection at Rated Capacity	< 0.4			mm
Weight: 500, 1000 and 2000 5000	0.9			kg
	1.9			kg
Construction	Stainless steel			
Environmental Protection	IP68			
Cable	5 meters (standard), 6 wire, polyurethane jacket, dual floating screen			

\*Total Error - According to OIML R60

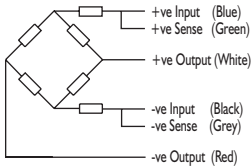
\*\*C1 and C2 grades are also available 50% utilization

Stainless Steel 'S' Type Load Cell

**DIMENSIONS** in millimeters



Wiring Schematic Diagram



Thread Type 'T' By Capacity

Capacity	Thread Type
500 kg	M12 x 1.75
1000kg	M16 x 2.0
2000kg	M16 x 2.0
5000kg	M24 x 2.0

All Dimensions in mm

**VISHAY TRANSDUCERS (VT) - SALES OFFICE Denmark**

**Nordic Transducer**

Als Odde DK9560 Hadsund Denmark  
 ph.: +45 98581444 - Fax. +45 98581866  
 e-mail: [ntt@ntt.dk](mailto:ntt@ntt.dk) - web: [www.ntt.dk](http://www.ntt.dk)