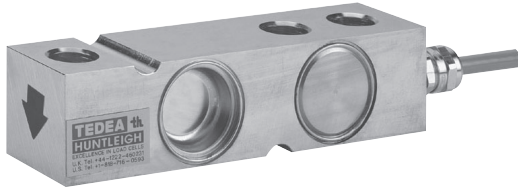


Stainless Steel Shear Beam Load Cell



Model 3510 provides the weighing industry with the ultimate protection necessary for today's hostile environments in an economical low profile range suitable for platform scale manufacture.

Its low profile and all welded sealing combined with high accuracy makes this load cell ideally suited for low profile platforms, pallet truck weighers, tanks and silos. The guide slots incorporated into the upper and lower mounting faces enable manufacturers to easily position the load cell.

FEATURES

- Capacities 300-5000kg
- Stainless steel construction
- Fully welded protection, to IP68
- Low profile industry standard
- Hazardous environments EEx ia IIC T6 and FM options
- NTEP and OIML R60 approved
- 6 wire (sense) circuit

Hermetically sealed against moisture, the construction of the model 3510 in combination with a polyurethane dual shielded cable, enables continuous operation in harsh environments whilst maintaining a high operating specification.

The two additional sense wires feed back the voltage reaching the load cell. Complete compensation of changes in lead resistance due to temperature change and/or cable extension, is achieved by feeding this voltage into the appropriate electronics.

SPECIFICATION					
GRADE	E	F	C3**	C6***	UNITS
Rated Capacities	300, 500, 1000, 2000, 5000,				kg
Rated Output	2.0 ±0.1%				mV/V
Total Error*	0.0500	0.030	0.020	0.0120	± % of rated output
Zero Return after 30 mins	0.0500	0.025	0.0170	0.0083	± % of applied load
Zero Balance	3.0	2.0	2.0	2.0	± % of rated output
Temperature Range: Operating	- 30 to + 80 - 10 to + 40				°C
Compensated					°C
Temperature Effect: On Output	0.004	0.0014	0.0012	0.0006	% of applied load/°C
On Zero	0.007	0.0035	0.0011	0.0007	% of rated output/°C
Safe Overload	150				% of rated capacity
Ultimate Overload	300				% of rated capacity
Excitation: Recommended	10 15				Volts AC or DC
Maximum					Volts AC or DC
Input Impedance****	380 ± 10				Ohms
Output Impedance****	350 ± 3 (T-end version 375 ± 25)				Ohms
Insulation Impedance	> 1000				MegaOhms
Deflection at Rated Capacity	< 0.4				mm
Weight: 300, 500, 1000, 5000kg 2000kg	0.9 1.9				kg kg
Construction	Stainless steel				
Environmental Protection	IP68				
Cable	5 meters (standard), 6 wire, polyurethane jacket, dual floating screen				

*Total Error - According to OIML

**Standard utilization 25%

Other utilization factors available on request

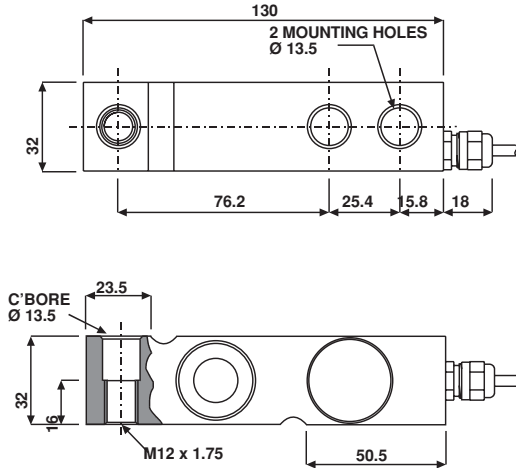
***C6 available upto 1000kg

****1000 Ohms versions available

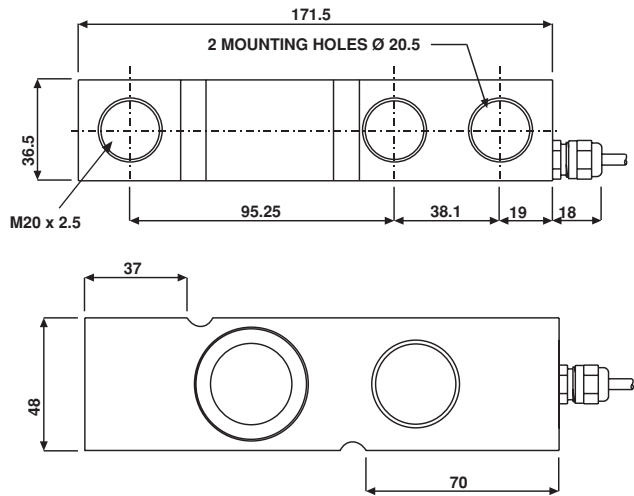
Stainless steel Shear Beam Load Cell

DIMENSIONS in millimeters

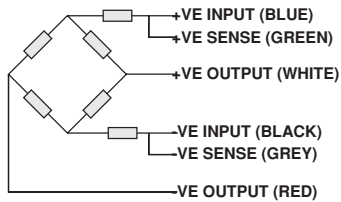
**DIMENSIONS FOR CAPACITIES
300, 500, 1000 & 2000kg**



**DIMENSIONS FOR CAPACITY
5000kg ONLY**



Wiring schematic diagram



Standard end loading shown.

Options include:

- 'Through-hole' - plain or threaded.
- 'T-End' - supplied current and voltage matched for platforms.

VISHAY TRANSDUCERS (VT) - SALES OFFICE Denmark

NORDIC TRANSDUCER
ALS ODDEVEJ 85
DK-9560 HADSUND
DENMARK

E-mail: ntt@ntt.dk
WEB: www.ntt.dk
TEL.: + 45 98 58 14 44
FAX: +45 98 58 18 66