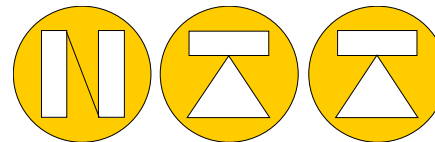


VTH Model 3510 Shear Beam

Stainless Steel Load cells IP68



NORDIC TRANSDUCER



FEATURES

- Capacities 300-5000kg
- Stainless steel construction
- Fully welded protection, to IP68
- Low profile industry standard
- Hazardous environments EEx ia IIC T6 and FM options
- NTEP and OIML R60 approved
- 6 wire (sense) circuit

Model 3510 provides the weighing industry with the ultimate protection necessary for today's hostile environments in an economical low profile range suitable for platform scale manufacture. Its low profile and all welded sealing combined with high accuracy makes this load cell ideally suited for low profile platforms, pallet truck weighers, tanks and silos. The guide slots incorporated into the upper and lower mounting faces enable manufacturers to easily position the load cell.

Hermetical sealed against moisture, the construction of the model 3510 in combination with a polyurethane dual shielded cable, enables continuous operation in harsh environments whilst maintaining a high operating specification. The two additional sense wires feed back the voltage reaching the load cell. Complete compensation of changes in lead resistance due to temperature change and/or cable extension, is achieved by feeding this voltage into the appropriate electronics.

SPECIFICATION					
GRADE	E	F	C3**	C6***	UNITS
Rated Capacities	300, 500, 1000, 2000, 5000,				kg
Rated Output	2.0 ±0.1%				mV/V
Total Error*	0.0500	0.030	0.020	0.0120	± % of rated output
Zero Return after 30 mins	0.0500	0.025	0.0170	0.0083	± % of applied load
Zero Balance	3.0	2.0	2.0	2.0	± % of rated output
Temperature Range: Operating	- 30 to + 80				°C
Compensated	-10 to + 40				°C
Temperature Effect: On Output	0.004	0.0014	0.0012	0.0006	% of applied load/°C
On Zero	0.007	0.0035	0.0011	0.0007	% of rated output/°C
Safe Overload	150				% of rated capacity
Ultimate Overload	300				% of rated capacity
Excitation: Recommended	10				Volts AC or DC
Maximum	15				Volts AC or DC
Input Impedance****	380 ± 10				Ohms
Output Impedance****	350 ± 3 (T-end version 375 ± 25)				Ohms
Insulation Impedance	> 1000				Mega Ohms
Deflection at Rated Capacity	< 0.4				mm
Weight: 300, 500, 1t, 2t 5000kg	0.9 1.9				kg/ton kg
Construction	Stainless steel				
Environmental Protection Cable	IP68 5 meters (standard), 6 wire, polyurethane jacket, dual floating screen				

*Total Error - According to OIML

**Standard utilization 25%

Other utilization factors available on request

***C6 available up to 1000kg

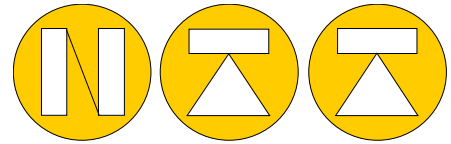
****1000 Ohms versions available

Nordic Transducer * Als Odde * DK-9560 Hadsund Denmark * Tel: +45 98581444 * Fax: +45 98581866

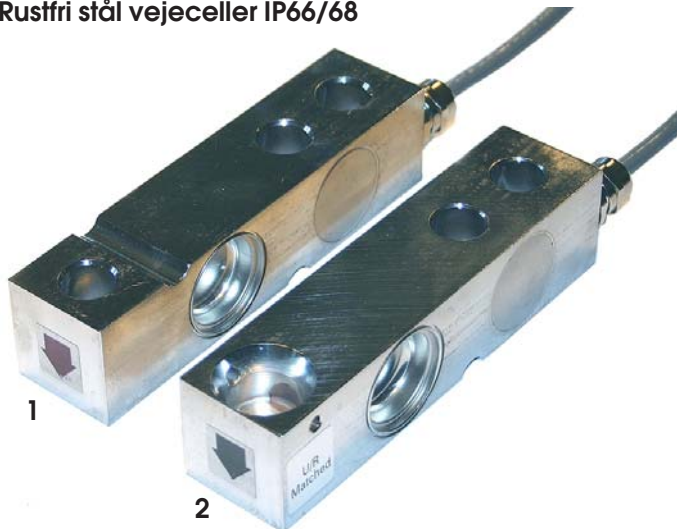
Internet: www.ntt.dk * e-Mail: ntt@ntt.dk

VTH Model 3510 Shear Beam

Rustfri stål vejeceller IP66/68



NORDIC TRANSDUCER



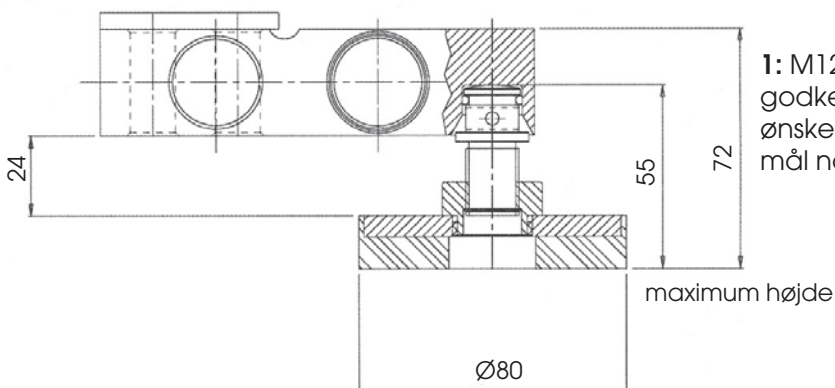
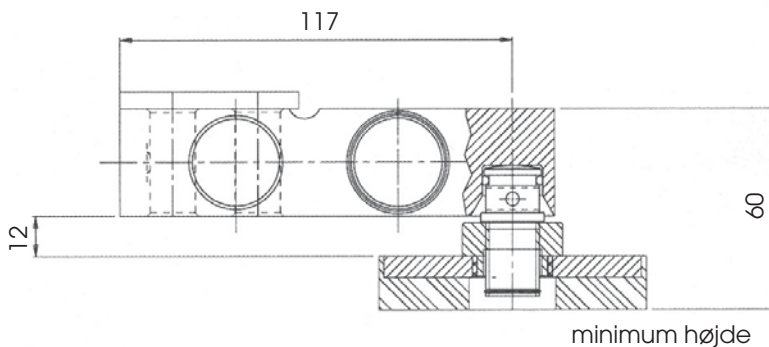
Model 3510 er fremstillet i rustfri stål og laser svejst som giver en god IP66/68 beskyttelse. Denne findes i 2 basis modeller:

1: Med M12x1,75 gevind på $\frac{1}{2}$ delen samt $\varnothing 13,5$ mm frihul på den anden $\frac{1}{2}$ del af tykkelsen, 32mm.

2: T-end som er med et $\varnothing 18$ mm bundhul med bunden i midterlinie af strain gauges området leveres UR/matched, til denne benyttes fod som vist med hærdet hvælvet anlægsflade, samt 12mm i højden justerbar gevind med $\varnothing 80$ mm kraftigt gummi vulkaniseret på foden. Foden holdes på plads af skrue som går tværs gennem celle og top af fod.



T-End model Dimensioner



UR/matched

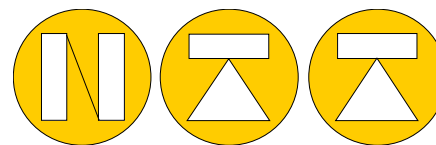
Dette er en regulering af vejecellens mA forbrug i forhold til en fælles normal som betyder at disse altid kan parres sammen inden for en nøjagtighed af 0,05% i forhold til normalen.

På 3510 leveres UR/M kun sammen med **T-end model, til godkendt vejning anbefales denne model kraftigt !!**

1: M12 gevind benyttes typisk til ikke godkendte systemer hvor der ikke ønskes den helt store nøjagtighed, se mål næste side

VTH Model 3510 Shear Beam

Rustfri stål vejeceller IP66/68

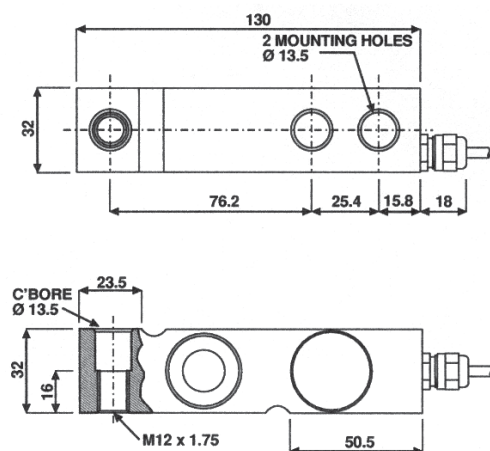


NORDIC TRANSDUCER

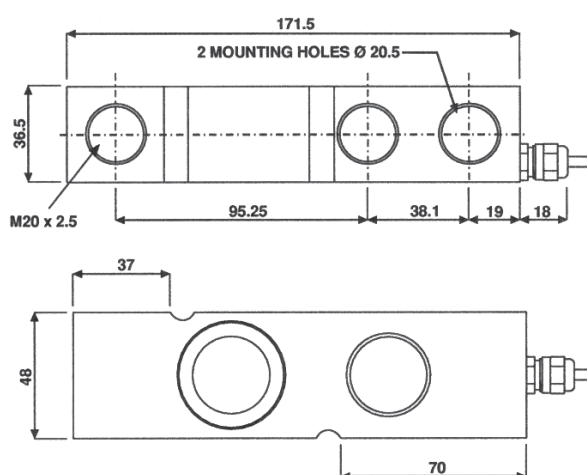


M12x1,75 Model

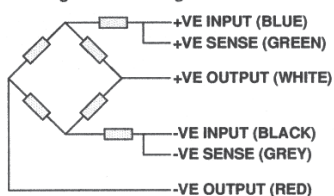
Dimensioner 300kg, 500kg 1t og 2t



Dimensioner 5000kg



Wiring schematic diagram



3510 1000kg med M12 gevind og H80 maskinsko