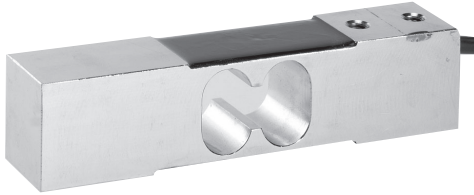


Stainless Steel Single Point Load Cell



Model 1130 is a low profile stainless steel single point load cell ideally designed for direct mounting in bench and platform scales, packaging and process weighing equipment, and is built to perform in harsh environments.

The small physical size, combined with high accuracy and low cost, makes this load cell ideally suited for low profile bench and counting scales. A special humidity resistant protective coating assures long term stability over the entire compensated temperature range.

FEATURES

- Capacities 7-100kg
- Stainless steel construction
- Single point 400 x 400mm platform
- 6 Wire (sense) circuit
- IP66 protection
- OIML and NTEP approved
- Available with UNC or metric threads.

Constructed in stainless steel this high accuracy load cell is approved to stringent approval standards e.g OIML and NTEP.

The two additional sense wires feed back the voltage reaching the load cell. Complete compensation of changes in lead resistance due to temperature change and/or cable extension, is achieved by feeding this voltage into the appropriate electronics.

SPECIFICATIONS				
GRADE	E	G	-	UNITS
OIML Accuracy Class	-	C3	C6*	
Rated Capacities	7, 10, 15, 20, 30, 50, 75, 100			kg
Rated Output	2.0 ± 10%			mV/V
Total Error	0.03	0.02	0.0100	± % of rated output
Zero Return after 30 mins	0.050	0.017	0.0117	± % of applied load
Temperature Effect: On Output	0.003	0.001	0.00058	± % of applied load/°C
On Zero	0.010	0.004	0.002	± % of rated load output/°C
Eccentric Loading	0.0074	0.0049	0.0024	± % of applied load/cm
Zero Balance	10			± % of rated output
Temperature range: Operating	- 20 to + 70			°C
Compensated	- 10 to + 40			°C
Safe Overload	150			% of rated capacity
Ultimate Overload	300			% of rated capacity
Excitation: Recommended	10			Volts AC or DC
Maximum	15			Volts AC or DC
Input impedance	383 ± 15			Ohms
Output Impedance	350 ± 5			Ohms
Insulation Impedance	> 2000			MegaOhms
Deflection at Rated Capacity	< 0.6			mm
Weight	0.650			kg
Construction	Stainless steel			
Environmental Protection	IP66			
Cable	1.5 meter 6 conductors, 26 AWG, screened PVC jacket			
Platform Size	400 x 400			mm

*OIML C6 for capacities up to 30kg, must consult factory prior to ordering.

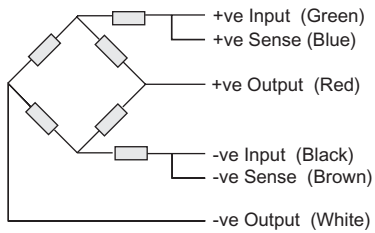
Standard 85% utilisation, smaller approved utilisation available

Recommended Torque 10Nm

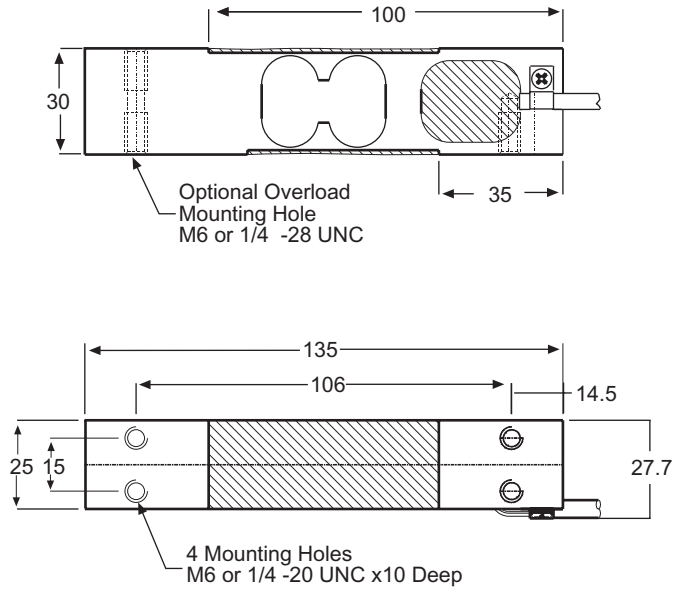
Stainless Steel Single Point Load Cell

DIMENSIONS in millimeters

Wiring Schematic Diagram



Balanced Temperature Compensation



VISHAY TRANSDUCERS (VT) - SALES OFFICE Denmark

Nordic Transducer

Als Odde DK9560 Hadsund Denmark
 ph.: +45 98581444 - Fax. +45 98581866
 e-mail: ntt@ntt.dk - web: www.ntt.dk