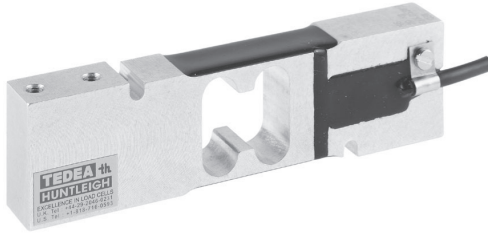


Low Profile Aluminum Load Cell



Model 1042 is a low profile single point load cell designed for direct mounting of low cost weighing platforms.

Its small physical size, combined with high accuracy and low cost, makes this load cell ideally suited for retail, bench and counting scales.

Capacities of 5kg and above are supplied as standard in anodized aluminum. This high accuracy load cell is approved to NTEP and other stringent approval standards, including OIML R60.

FEATURES

- Capacities 1-100kg
- 400 x 400mm platform
- Aluminum construction
- IP66 protection
- Low profile industry standard
- Hazardous environments EEx ia IIC T4 and FM options
- NTEP and OIML R60 approved
- 6 wire (sense) circuit

A humidity resistant protective coating assures long term stability over the entire compensated temperature range.

The two additional sense wires feed back the voltage reaching the load cell. Complete compensation of changes in lead resistance due to temperature change and/or cable extension, is achieved by feeding this voltage into the appropriate electronics.

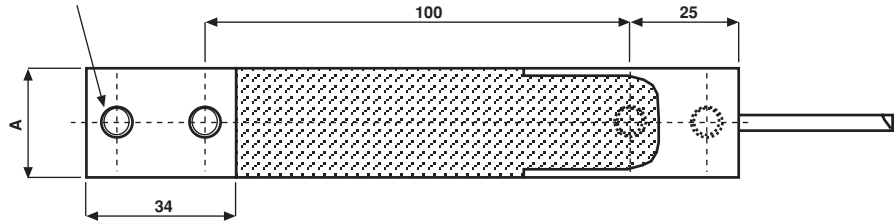
SPECIFICATIONS				
GRADE	Non-Approved (E)	C3**	C6***	UNITS
Rated Capacities	1*, 3, 5, 7, 10, 15, 20, 30, 50, 75, 100,			kg
Rated Outputs	2.0 ± 10%			mV/V
Total Error According to OIML R60	0.030	0.0200	0.0100	± % of rated output
Zero Return after 30 mins	0.050	0.0170	0.0083	± % of applied load
Temperature Effect:	On Output	0.0030	0.0010	± % of applied load/°C
	On Zero	0.0100	0.0023	± % of rated output/°C
Eccentric Loading	0.0074	0.0049	0.0024	± % of applied load/cm
Zero Balance	10.0			± % of rated output
Temperature Range: Operating Compensated	- 30 to + 70			°C
	- 10 to + 40			°C
Safe Overload-Central Loading	150			% of Rated Capacity
Ultimate Overload-Central Loading	300			% of Rated Capacity
Excitation: Recommended Maximum	10			Volts Ac or DC
	15			Volts Ac or DC
Input Impedance	415 ± 15			Ohms
Output impedance	350 ± 3			Ohms
Insulation Impedance	> 2000			MegaOhms
Deflection at Rated Capacity	< 0.5			mm
Weight	0.30			kg
Construction	Aluminum (1&3kg) Anodized Aluminum(5-100kg)			
Environmental Protection	IP66			
Cable	1m, 6 Wire, PVC, Single Floating Screen (not connected to load cell)			
Platform	400 x 400			mm

*1 kg version only in non-approved. **50% minimum utilisation - other utilisation factors available. ***20 - 100 kg capacities anodized
Recommended Torque: Upto 30 kg 7 Nm 50 - 100kg 10 Nm

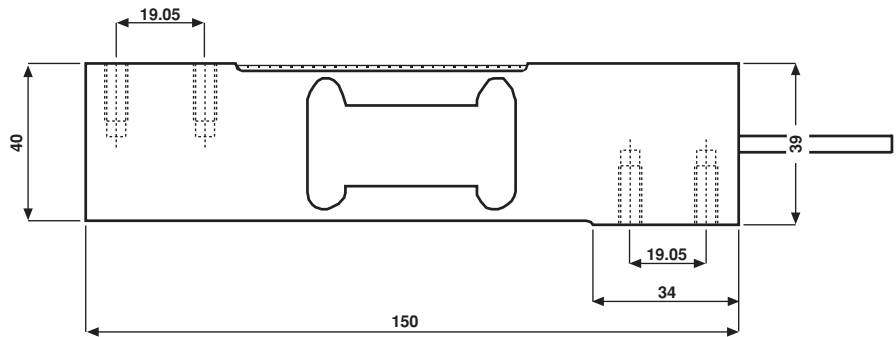
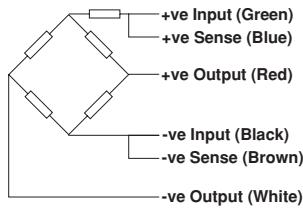
Low Profile Aluminum Load Cell

DIMENSIONS in millimeters

Capacity, kg	A
1 - 30	20
50 - 100	25.2



WIRING SCHEMATIC DIAGRAM
(unbalanced bridge configuration)



VISHAY TRANSDUCERS (VT) - SALES OFFICE Denmark

Nordic Transducer

Als Odde DK9560 Hadsund Denmark
 ph.: +45 98581444 - Fax. +45 98581866
 e-mail: ntt@ntt.dk - web: www.ntt.dk