

Single Point Aluminum Cell



FEATURES

- Capacities 3 - 35kg
- Only 22mm high
- Aluminum construction
- Single point
- 350 x 350mm platform
- IP66 protection
- OIML R60 and NTEP approved
- Hazardous area approved to EEx ia IIC T4 & FM

Model 1022 is a low profile single point load cell designed for direct mounting in low cost weighing platforms.

Its small physical size, combined with high accuracy and aluminum construction, makes this low cost load cell ideally suited for retail, bench and counting scales where savings in parts and labor due to simpler scale construction can be made.

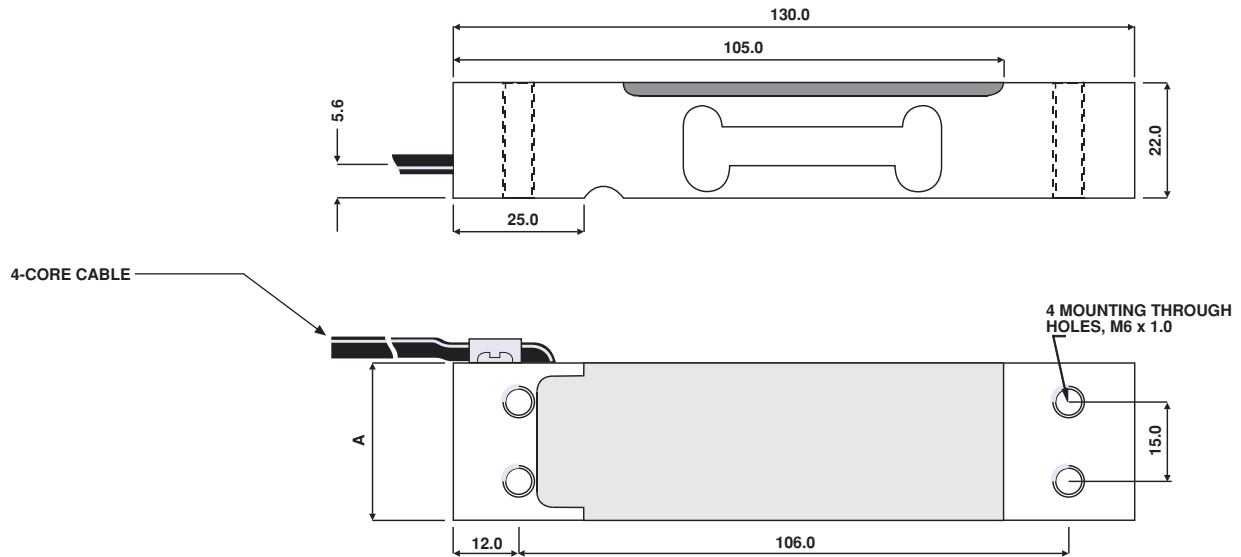
Available in a range of capacities, from 3 to 35kg and approved to OIML R60 (4000d) or NTEP (5000d, single). Environmental protection to IP66 is provided as standard. For hazardous environments this load cell has EEx ia IIC T4 level of approved option.

SPECIFICATIONS				
GRADE	E	C3**	C4***	UNITS
Rated Capacities	3, 5, 7, 10, 15, 20, 30, 35.			kg
Rated Output	2.0 ± 10%			mV/V
Total Error*	0.0300	0.0200	0.015	± % of rated output
Zero Return after 30 mins	0.0500	0.0170	0.0125	± % of applied load
Temperature Effect: On Output On Zero	0.0300	0.001	0.00075	± % of applied load/°C
	0.0100	0.0023	0.0014	± % of rated output/°C
Eccentric Loading	0.0085	0.0057	0.0042	± % of applied load/cm.
Zero Balance	10.0			± % of rated output
Temperature Range: Operating Compensated	- 30 to + 70			°C
	- 10 to + 40			°C
Safe Overload	150			% of rated capacity
Ultimate Overload	300			% of rated capacity
Excitation: Recommended Maximum	10			Volts AC or DC
	15			Volts AC or DC
Input Impedance	415 ± 15			Ohms
Output Impedance	350 ± 3			Ohms
Insulation Impedance	> 2000			MegaOhms
Deflection at Rated Capacity	< 0.4			mm
Weight	0.15			kg
Construction	Aluminum			
Environmental Protection	IP66			
Cable	0.5 Meter (Standard), 4 Wire, PVC, Single Floating Screen			
Platform Size (max)	350 x 350			mm

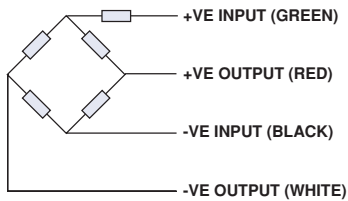
*Total Error - According to OIML R60 **50% utilization standard ***40% Min utilization. Consult factory for other utilization factors

Single Point Aluminum Cell

DIMENSIONS in millimeters



WIRING SCHEMATIC DIAGRAM
(UNBALANCED BRIDGE CONFIGURATION)



CAPACITY	A
3, 5, 7.kg	25.4
10, 15, 20, 30.kg	30.0
35.kg	40.0

VISHAY TRANSDUCERS (VT) - SALES OFFICE Denmark

Nordic Transducer

Als Odde DK9560 Hadsund Denmark
 ph.: +45 98581444 - Fax. +45 98581866
 e-mail: ntt@ntt.dk - web: www.ntt.dk