

## Aluminum Single Point Load Cell



### FEATURES

- Capacities 3-90kg
- Anodized aluminum construction
- Single point 400 x 400mm platform
- 6 wire (sense) circuit
- Adjustable overload protection
- NTEP and factory mutual approved
- Hazardous area approved to EEx ia IIc

Model 1015 is a single point load cell designed for direct mounting of low cost, low capacity weighing platforms.

Its use in large platforms, combined with its high accuracy and low cost, makes this load cell ideally suited for a large range of weighing applications, including bench scales, and counting scales.

A special humidity resistant protective coating is available which assures long term reliability. For hazardous environments this load cell has EEx ia IIc T4 level approved option.

Model 1015's built-in overload stop can provide mechanical protection against overloading.

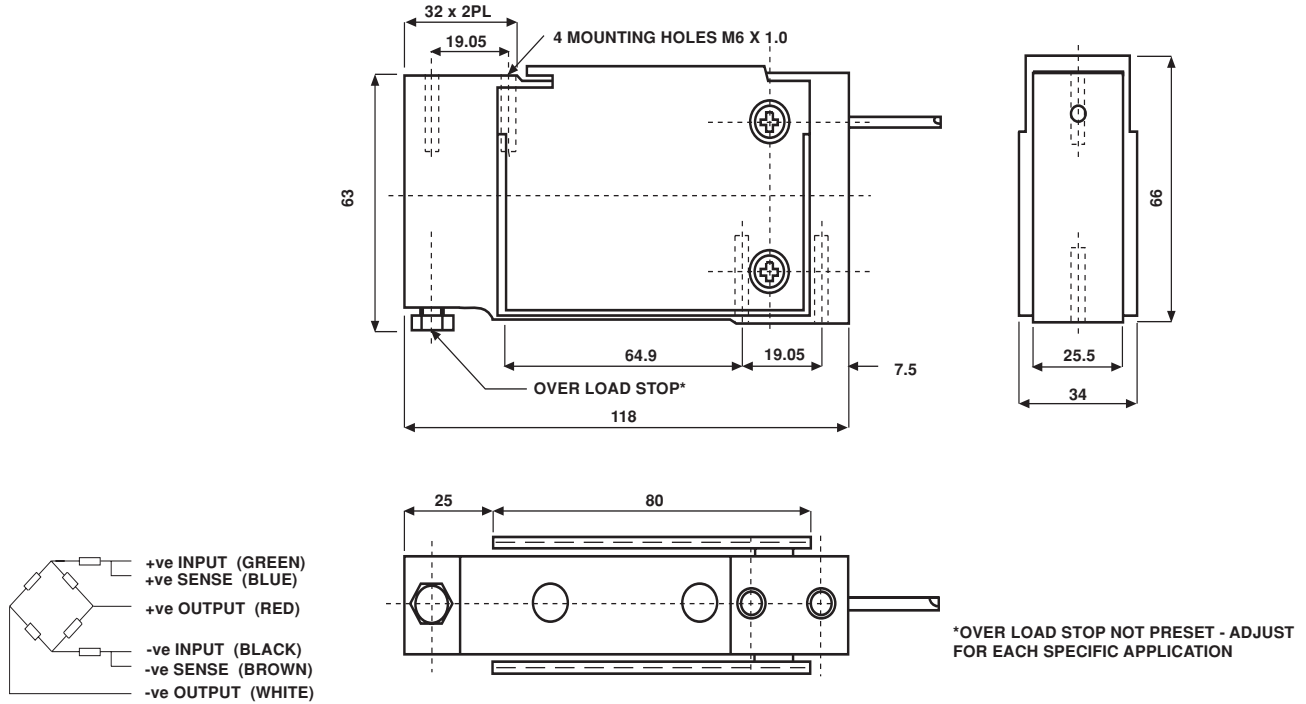
The two additional sense wires feed back the voltage reaching the load cell. Complete compensation of changes in lead resistance due to temperature change and/or cable extension, is achieved by feeding this voltage into the appropriate electronics.

| SPECIFICATIONS                              |   |                     |                       |
|---|---|---------------------|-----------------------|
| GRADE                                       | E   | G                   | UNITS                 |
| Rated capacities                            | 3, 5, 7, 10, 15, 20, 30, 50 <sup>#</sup> , 90 <sup>**</sup> |                     | kg                    |
| Rated Output                                | 2.0 ± 10%   |                     | mV/V                  |
| Total Error*                                | 0.030   | 0.020               | ±% of Applied Load    |
| Zero Return after 30 mins                   | 0.050   | 0.017               | ±% of Applied Load    |
| Temperature Effect:                         | On output   | 0.003               | ±% of Applied Load/°C |
|   | On zero   | 0.010               | ±% of Rated Output/°C |
| Eccentric Loading Error                     | 0.0074  | 0.0049 <sup>#</sup> | ±% of Applied load/cm |
| Zero Balance                                | 10.0  |                     | ±% of Rated Output    |
| Temperature Range: Operating<br>Compensated | - 30 to + 70  |                     | °C                    |
|   | - 10 to + 40  |                     | °C                    |
| Safe Overload                               | 150   |                     | % of Rated Capacity   |
| Ultimate Overload                           | 300   |                     | % of Rated Capacity   |
| Excitation: Recommended<br>Maximum          | 10  |                     | Volts AC or DC        |
|   | 15  |                     | Volts AC or DC        |
| Input Impedance                             | 415 ± 15  |                     | Ohms                  |
| Output Impedance                            | 350 ± 3   |                     | Ohms                  |
| Insulation Impedance                        | > 5000  |                     | MegaOhms              |
| Deflection at Rated Capacity                | < 0.4   |                     | mm                    |
| Weight                                      | 0.4   |                     | kg                    |
| Construction                                | Anodized Aluminum   |                     |                       |
| Environmental Protection                    | IP54 (IP67 Optional)  |                     |                       |
| Cable                                       | 1 Meter (Standard), 6 Wire PVC Jacket, Floating Screen      |                     |                       |

\*Total Error - According to OIML R60 #50kg Eccentric loading error 0.0057 (35x35cm platform). \*\*90kg available in E & F grades only.

Aluminium Single Point Load Cell

**DIMENSIONS** in millimeters



VISHAY TRANSDUCERS (VT) - SALES OFFICE Denmark

**Nordic Transducer**

Als Odde DK9560 Hadsund Denmark  
 ph.: +45 98581444 - Fax. +45 98581866  
 e-mail: [ntt@ntt.dk](mailto:ntt@ntt.dk) - web: [www.ntt.dk](http://www.ntt.dk)