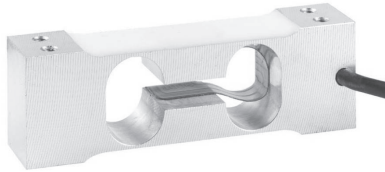


Aluminum Single Point Load Cell



FEATURES

- Capacities 2 - 5kg
- Aluminum construction
- Single point - 200 x 200mm platform
- IP66 protection
- Total error better than 0.02% of rated output

Model 1006 is a very low capacity, high precision single point load cell designed for direct mounting in low capacity scales.

This load cell is suitable for applications including postal scales, counting scales, general purpose weighing scales and is also suitable for a wide variety of force measurement

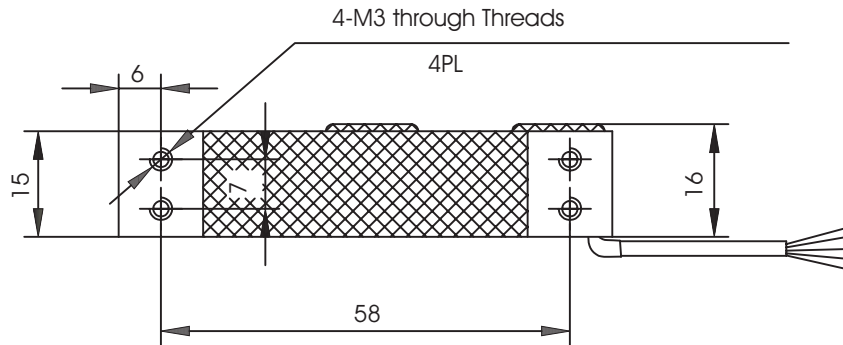
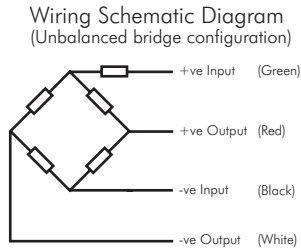
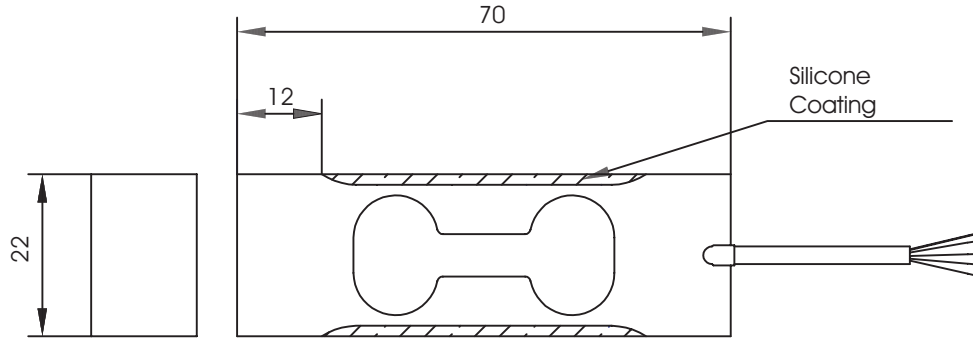
applications, such as industrial process control or specialist medical devices.

Model 1006 offers very high performance from a very small size. It is very easy to use, and easy to apply in a wide variety of applications, where the acting centre of force application is within 100mm of the load cell vertical axis.

| SPECIFICATIONS | | | | |
|--|---|--------|--------|------------------------|
| GRADE | E | F | G | UNITS |
| Rated Capacities: | 2, 3, 5 | | | kg |
| Rated Output | 2.0 ± 10% | | | mV/V |
| Total Error According to OIML R60 | 0.03 | 0.02 | 0.02 | ± % of rated output |
| Zero Return (creep) in 30 minutes | 0.05 | 0.025 | 0.017 | ± % of applied load |
| Temperature Effect: On Output | 0.003 | 0.0014 | 0.0010 | ± % of applied load °C |
| On Zero | 0.01 | 0.006 | 0.004 | ± % of rated output/°C |
| Eccentric Loading Error | 0.0085 | 0.0085 | 0.0057 | ± % of applied load/cm |
| Zero Balance | 10.0 | | | ± % of rated output |
| Temperature Range: Operating | - 30 to + 70 | | | °C |
| Compensated | - 10 to + 40 | | | °C |
| Safe Overload | 150 | | | % of rated capacity |
| Ultimate Overload | 300 | | | % of rated capacity |
| Excitation: Recommended | 10 | | | Volts AC or DC |
| Maximum | 15 | | | Volts AC or DC |
| Input Impedance | 415 ± 20 | | | Ohms |
| Output Impedance | 350 ± 3 | | | Ohms |
| Insulation Impedance | > 2000 | | | MegaOhms |
| Deflection at Rated Capacity (Central Loading) | < 0.4 | | | mm |
| Weight | 0.052 | | | kg |
| Construction | Aluminum | | | |
| Environmental Protection | IP66 | | | |
| Cable | 0.4m, 4 wire, 28 AWG, spiral shield, PVC Jacket | | | |
| Platform Size | 200 x 200 | | | mm |

Aluminum Single Point Load Cell

DIMENSIONS in millimeters



VISHAY TRANSDUCERS (VT) - SALES OFFICE Denmark

Nordic Transducer

Als Odde DK9560 Hadsund Denmark
 ph.: +45 98581444 - Fax. +45 98581866
 e-mail: ntt@ntt.dk - web: www.ntt.dk